

信誉永恒 质量第一
Your success is our business!
让生产更高效!
Make production more efficient!



上海托高精密机械有限公司
Shanghai Tuogao Precision Machinery Co.,Ltd
地址:上海嘉定区黄渡镇工业区宝丰路88弄8号
Address:No.8,Lane88,Baofeng Rd, Jiading District, Shanghai
电话(Tel):86-21-69580377 69580120 59596003 59596005
传真(Fax):86-21-51862198 邮编(Code):201804
网址(Http://www.shgaston.com www.shgaston.cn
邮编(Email):sales@shgaston.cn

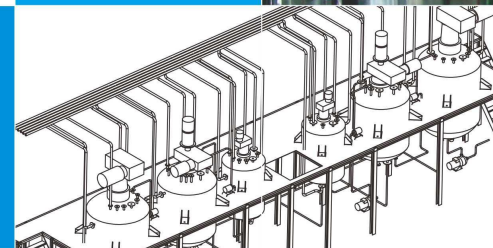
服务热线: 400-9670868

上海托高精密机械有限公司



上海托高精密机械有限公司
Shanghai Tuogao Precision Machinery Co.,Ltd

Pursue Quality Create Value



追求品质 创造价值



Machinery



诚信经营 用心服务 卓越品质 铸造品牌 Good faith management Whole-hearted service

GASTON 加斯顿 为全球客户提供卓越的服务。
To provide global customers with excellent service

不论是整个生产和系统的工程设计、组装、调试、技术选型，还是全面生产设备维修维护，托高的选型专家总是专业的对待每一次方案。

我们面向国际化的客户群体。无论他们的业务扩展到哪里，我们都如影相随。
No matter production and the system as a whole, engineering design, assembly, debugging, technology selection, or full production equipment maintenance and maintenance, Tuogao's selection experts always treat every professional programme

Our international customer base, No matter where their business expansion, We are all constantly everywhere



公司简介 COMPANY PROFILE

上海托高精密机械有限公司，专业从事于研发设计、生产销售为一体的综合性公司。公司主要有以下系列产品：气动马达、气动绞车、气动葫芦、气动搅拌机、电动防爆搅拌机、气动齿轮泵、气动混合机、气动风扇等空气动力产品及工业自动化设备气电控制系统工程。公司自成立以来，一直致力于提高产品性能、服务质量、员工素质和管理水平，扩大销售网络、供应渠道和人才储备。

公司引进并吸收德国、美国的最新技术装备和检测手段配之以成熟的工艺规范，有效的保证了产品质量，生产效率和产品的稳定性。公司研制生产的微型精密行星减速机马达填补了国内多项空白，高精度的全钢行星减速机马达不管精度，可靠性，使用寿命都能与国外同类产品媲美并远销欧美。在公司全体员工努力下公司取得多项国家专利证书并通过了ISO9001国际质量体系认证。公司严格按照标准进行生产和检测。我们成熟的技术、优秀销售服务团队、随时为客户提供完善的售前、售后服务及技术支持。目前公司拥有苏州、上海两大生产基地和上海研发中心，产品达到一千多种机型并销往全球十多个国家和地区。

公司产品应用范围广泛，为工业自动化设备、机械传动、石油、化工、化学、船舶、涂料、汽车涂装、流体控制、造纸及造纸化学品、环保、矿山、自动化控制等众多领域提供全面的生产设备和解决方案。

公司本着“质量创品牌、服务赢客户”的理念，要以精湛的工艺、高标准的质量、优惠的价格、交货及时、到位的售后服务来赢得市场赢得客户！

Shanghai Tuogao precision machinery Co.,Ltd. specializing in research and development, production and sales of integrated companies. Company has the following products: pneumatic motor, winch, air hoists, pneumatic mixers, Explosion-proof, electric mixer electric blenders, explosion-proof pneumatic gear pump, pneumatic mixers, pneumatic fans air power gas turbine control systems engineering and industrial automation equipment. Since the establishment of the company, has been working to improve product performance, quality of service, the quality of staff and management, expanded sales network, supply chain, and talent pool.

Company to introduce and absorb the latest technology and equipment and testing means of Germany and the United States to match the mature process specifications, effectively ensuring the product quality, production efficiency and product stability. Company to develop and produce small precision planetary reduction gear motor has filled the domestic blank, high-precision all-steel planetary gear motor regardless of accuracy, reliability, service life can be comparable with similar foreign products and exported to Europe. Efforts of all employees of the company the company has made a number of national patent and passed the ISO9001 international quality system certification, the company strictly in accordance with the standards for the production and testing, our proven technology, excellent sales and service team, ready to provide customers with comprehensive pre-sale, after-sales service and technical support. Currently owns two large production base in Suzhou, Shanghai and Shanghai research and Development Center, products reach more than 1000 models and sold in more than 10 countries and regions in the world.

Company's products are widely used for industrial automation equipment, mechanical, petroleum, chemical engineering, chemistry, marine, coatings, automotive coatings, fluid controls, paper-making and paper-making chemicals, environmental protection, mining, automatic control and other fields to provide a full range of production equipment and solutions. The company spirit of "quality create brand, win customer service" concept, with the exquisite technology, high quality, competitive price, prompt delivery, after-sales service to win customers to win the market!



公司相册 COMPANY PHOTO

公司办公室 The company office



设计 检测 Design Test

装配车间 Assembly worksh



机加工车间 Machining workshop



焊接钣金车间 Welding Sheet metal workshop

CONTENTS 目录

活塞式气动马达说明 Piston-type pneumatic motor Explain	01
活塞式气动马达分解图Piston-type motor decomposition map	02
活塞式气动马达参数表Piston-type pneumatic motor Technical parameter	03
活塞式气动马达Piston-type pneumatic motor	04
AMP系列活塞式气动马达AMP Piston-type pneumatic motor	05
活塞式气动马达分解图Air motor decomposition map	08
AMP系列活塞式气动马达AMP Piston-type pneumatic motor	09
活塞式气动马达分解图Air motor decomposition map	10
齿轮式气动马达参数表Gear type pneumatic motor Technical parameter	11
齿轮式气动马达Gear type pneumatic motor	12
叶片式气动马达参数表Blade-type pneumatic motor Technical parameter	13
叶片式气动Blade-type pneumatic motor	14
AMV系列叶片式气动马达AMV Blade-type pneumatic motor	15
叶片式气动马达说明 Blade-type pneumatic motor Explain	23
行星式气动马达分解图Planetary-type motor decomposition map	24
行星式气动马达参数表Planetary-type pneumatic motor Technical parameter	25
行星式气动马达Planetary-type pneumatic motor	26
20公斤-50公斤 (5加仑) 气动防爆搅拌机系列 20kg-50kg (5JL) Pneumatic Explosion-proof Agitator Series	27
定制气动防爆搅拌机系列Customized pneumatic explosion-proof agitator series	31
手提式搅拌机系列Portable agitator series	33
基本式气动搅拌机系列Basic type pneumatic mixer series	34
定制气动防爆搅拌机系列Customized pneumatic explosion-proof agitator series	35
实验室气动防爆搅拌机系列Lab pneumatic explosion-proof agitators	36
200斤 (50加仑) 气动防爆搅拌机系列200kg (50JL) Pneumatic explosion-proof agitator series	37
台车式气动防爆搅拌机系列Mobile trolley Explosion-proof pneumatic Stretch mixer	40
IBC 桶用搅拌机系列IBC barrel agitator series	44
不锈钢桶用搅拌机系列Series of agitator for stainless steel barrel	47
全气动控制配料、搅拌、喷涂系统Total pneumatic control batching ,stirring and spray coating systems	48
非标定制不锈钢桶用搅拌机系列Series of agitator for stainless steel barrel	49
气动喷涂桶系列Pneumatic spray bucket series	51
手动型喷涂桶系列Manual type spray bucket series	52
气动泵系列Pneumatic pump series	53
TG高速无泄漏泵TG high speed leak-tightness pump	54

CONTENTS 目录

TM中型泵TM medium pump	55
LX型高粘度泵High viscosity pump	56
气动齿轮泵Pneumatic gear pump	57
气动自吸离心泵系列Pneumatic self-priming centrifugal pump	58
气动风机Air blower	59
搅拌轴叶系列Mixer blade series	63
实验室电动搅拌机系列Lab electric agitator series	66
50公斤-300公斤电动升降电动搅拌机50-300KG Electric lift electric mixer	67
台车式气动升降电动搅拌机Car-bottom type pneumatic lift electric mixer	68
F系列分散机F series sidpersing machine	69
不锈钢搅拌桶系列Stainless steel mixing barrel series	71
IBC 桶电动搅拌机系列IBC barrel electric mixer	73
台车式IBC桶用液压升降搅拌机Car-bottom IBC drum hydraulic lifting agitator	74
非标定制滚筒机系列Non standard custom drum mixer	75
工程案例Engineering case	76
钢平台加料搅拌、灌装系统工程 Steel platform Charging mixing, filling systems engineering	77
客户案例Customer case	78
混合机 (滚筒机系列) Mixer (Drum series)	79
单臂混合机 (滚筒机系列) Single-arm mixer (Roller series)	81
液压升降型混合机 (滚筒机系列) Hydraulic lift-type agitator (Drum machine series)	82
非标定制滚筒机系列Non standard custom drum mixer	84
气动升降平台Pneumatic lift platform	85
翻转倒料车Rotary batch turning truck	86
称重式气动翻转倒料轨道系统Weighing pneumatic rotary batch turning track system	87
搬运车系列Rotary batch turning truck	88
开桶器系列Drum opener	89
钢平台加料搅拌、灌装系统工程 Steel platform Charging mixing, filling systems engineering	90
工艺咨询表Technical Inquiry Form	91

活塞式气动马达说明

Piston pneumatic motor Explain



活塞式气动马达的工作原理及用途 Piston pneumatic motor principle of work and use

主要由：马达壳体、连杆、曲轴、活塞、气缸、配气阀等组成。压缩空气进入配气阀芯使其转动，同时借配气阀芯转动，将压缩空气依次分别送入周围各气缸中，由于气缸内压缩空气的膨胀，从而推动活塞连杆和曲轴转动，当活塞被推至“下死点”时，配气阀芯同进也转至第一排气位置。经膨胀后的气体即自行从气缸经过阀的排气孔道直接排出。同时活塞缸内的剩余气体全部自配气阀芯分配阀的排气孔道排出，经过这样往复循环作用，就能使曲轴不断旋转。其功主要来自子气体膨胀功。

由于活塞气马达具有以上诸多特点，故它可在潮湿、高温、高粉尘等恶劣的环境下工作。除被用于矿山机械中的凿岩、钻采、装载等设备中作动力外，船舶、冶金、化工、造纸等行业也广泛地采用。

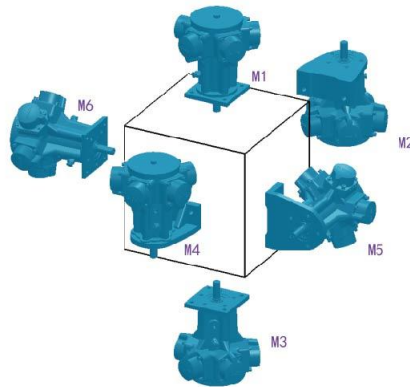
Mainly consists of: motor shell, connecting rod, crankshaft, piston and cylinder, valve, etc. Compressed air into the air with its core, with rotation by air, will be the core of compressed air into the surrounding air cylinder respectively, due to the expansion of compressed air in cylinder, so as to promote the piston and crankshaft connecting, when the piston is pushed down dead spots, with the core with air exhaust to first place. The expansion of the gas automatically from the exhaust duct cylinder valve directly after discharge. While the residual gas piston cylinder valve core with all the vent duct, corundum, through such reciprocating cycle can make the crankshaft constantly rotating. Its function mainly comes from the gas expanding power.

Above because the piston air motor has many characteristics, therefore it can be in damp, high temperature, high dust and other work under the harsh environment. In addition to be used in the mining machinery in drilling, drilling, loading equipment, such as motivation, shipbuilding, metallurgy, chemical industry, papermaking, etc are also widely used.

马达的型号表示 Motor model representation

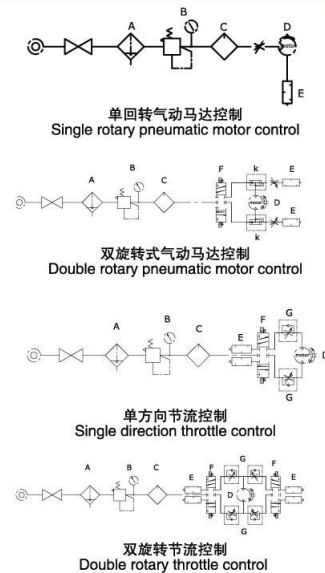


马达的安装位置 Installation position diagram of pneumatic motor



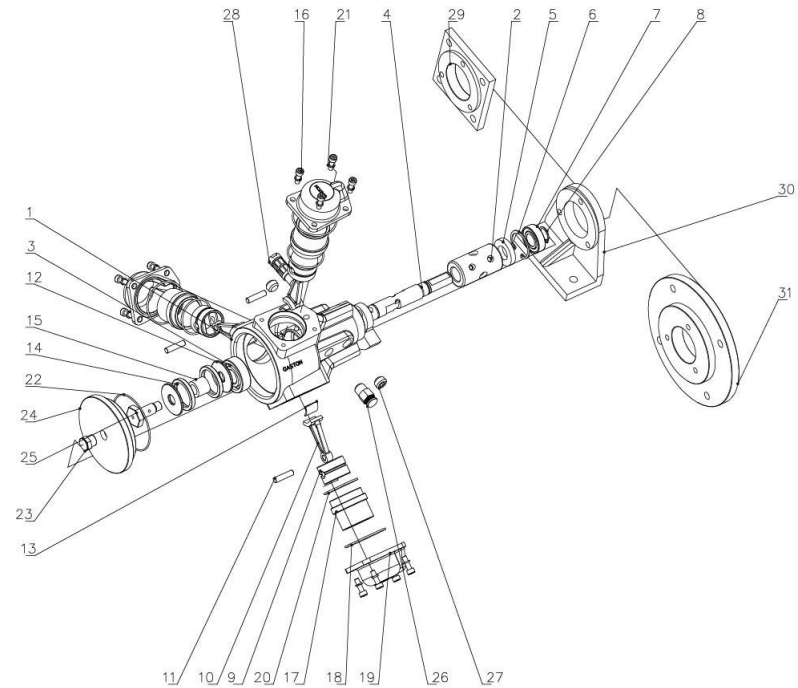
需要M3安装方式需要与本公司说明
Need M3 installation to illustrate with the company

马达的气路控制图 Air motor control signal



活塞式气动马达分解图

Piston air motor exploded diagram



NO.	名称 Name	数量	NO.	名称 Name	数量	NO.	名称 Name	数量
1	马达本体 Housing	1	12	垫片 Body Gasket	2	23	通气孔螺丝 vent screw	1
2	分配阀 Distributing valve	1	13	衬垫 Gasket	3	24	马达上盖 The motor cover	1
3	轴承 Drive End Bearing	1	14	垫圈 Locate the gasket	2	25	曲轴螺丝 Crank shaft screw	1
4	马达主轴 The spindle	1	15	滚柱轴承 Roller bearing	2	26	气管插头 Tracheal plug	1
5	油封 Shaft Seal	1	16	内六角螺丝 Socket head screw	12	27	堵头 Plug	2
6	孔用卡簧 Hole card spring	1	17	气缸套 Cylinder liner	3	28	消音器 Muffler	1
7	轴承 Drive End Bearing	1	18	O型环 o-rings	3	29	方法兰 Square flange	1
8	轴用卡簧 circlip	1	19	气缸盖 Cylinder head	3	30	卧式盘 Horizontal plate	1
9	活塞 piston	3	20	O型环 o-rings	3	31	圆法兰 Round flange	1
10	连杆 Connecting rod	3	21	弹簧垫圈 Spring washer	12			
11	销子 stop pin	3	22	O型环 o-rings	1			

活塞式气动马达参数表
Piston-type pneumatic motor Technical parameter



活塞式气动马达
Piston-type pneumatic motor

型号 Model	减速比 Gear Ratio	最大输出功率时 Maximum Output						失速扭矩 Stall Torque		重量 (KG) Weight				
		功率 Power		扭力 Torque		额定转速 Rated Speed	耗气量 Air Consumption		基本形 Basic	立式 Vertical	卧式 Horizontal			
		H P	KW	N.m	lbf.ft	R.P.M/min	L/min	CFM				N.m	lbf.ft	KG
AMP1	G1/3	0.11	0.08	0.64	0.47	1200	200	7	1.1	0.81	1.4	*	6.9	7.1
	G1/5			1.8	1.32	400			2.9	2.1				
	G1/10			3	2.2	240			4.9	3.6				
	G1/15			6.1	4.5	120			9.8	7.2				
	G1/20			8.8	6.5	80			14.7	10.8				
AMP2	G1/3	0.16	0.12	0.95	0.7	1200	210	7.4	1.5	1.1	1.6	*	7.2	7.4
	G1/5			2.7	2	400			4.4	3.2				
	G1/10			4.4	3.2	240			7.1	5.2				
	G1/15			8.7	6.4	120			14.2	10.5				
	G1/20			13.1	9.7	80			21.2	15.6				
AMP3	G1/3	0.25	0.18	1.7	1.3	1000	260	9.2	2.3	1.7	2.7	*	9.6	9.8
	G1/5			4.7	3.47	330			7.8	5.8				
	G1/10			7.9	5.8	200			12.8	9.4				
	G1/15			15.9	11.7	100			26	19.2				
	G1/20			23.6	17.4	66			38.5	28.4				
	G1/30			31.5	23.2	50			51.5	38				
	G1/40			46.8	34.5	33			76.4	56.4				
	G1/50			62.3	46	25			101.5	74.9				
	G1/60			77.3	57	20			125.3	92.5				
	G1/80			9.5	2.6	900			4.7	3.5				
AMP4	G1/3	0.33	0.24	3.5	7	300	310	10.9	13.5	10	*	9.7	9.9	
	G1/5			16.2	12	180			22.3	16.5				
	G1/10			32.4	23.9	90			44.5	32.8				
	G1/15			47.5	35.1	60			70.9	52.3				
	G1/20			63.7	47	45			94.6	69.8				
	G1/30			94.8	70	30			144.1	106.3				
	G1/40			125	92.3	22.5			186.8	137.9				
	G1/50			156.7	115.6	18			239.5	176.8				
	G1/60			185.9	137.2	15			280.7	207.2				
	G1/80			264.6	195.3	11.2			402.6	297.1				
AMP5	G1/3	0.5	0.37	4.7	3.5	750	395	13.9	6.5	5.5	5.2	*	11.9	12.1
	G1/5			13.3	9.8	250			17.8	13.1				
	G1/10			22	16.2	150			29.6	21.8				
	G1/15			43.5	32.1	75			59	43.5				
	G1/20			64.3	47.5	50			86.7	64				
	G1/30			87.2	64.4	37.5			119.5	88.2				
	G1/40			129.5	95.6	25			178.9	132				
	G1/50			171	126.2	18.5			236.1	174.2				
	G1/60			213.5	157.6	15			296.8	219				
	G1/80			256.2	189.1	12.5			358.8	264.8				
AMP6	G1/3	0.75	0.56	7.6	5.6	650	504	17.8	11.5	8.5	5.6	*	12.4	12.6
	G1/5			21.7	16	216			31.5	23.2				
	G1/10			35.6	26.3	180			49.5	36.5				
	G1/15			72	53.1	90			100.3	74				
	G1/20			106.2	78.4	60			155.1	114.5				
	G1/30			141.5	104.4	45			206.6	152.5				
	G1/40			209.5	154.6	30			305.7	225.6				
	G1/50			276.5	204.1	22.5			412.4	304.4				
	G1/60			345.3	254.8	18			506.6	373.9				
	G1/80			414.6	306	15			609.2	449.6				
AMP7	G1/3	1.5	1.1	28	20.7	360	990	35	45.8	33.8	19.5	*	22	29
	G1/5			75.5	55.7	120			103.7	76.5				
	G1/10			128.6	94.9	72			182.5	134.7				
	G1/15			254.5	187.8	36			365.2	269.5				
	G1/20			382.2	282.1	24			580.4	428.3				
				502	370.5	18			766.5	565.7				



AMP3-F



AMP3-L



AMP5-F



AMP5-L



AMP7-F



AMP6-RV



AMP3-FB71



AMP3-FB71-LG



AMP5-FPL



AMP3-FG



AMP5-NRV



AMP7-ABR



AMP7-FB90-FG



AMP6-WPD

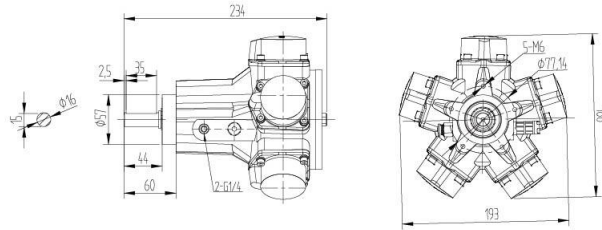
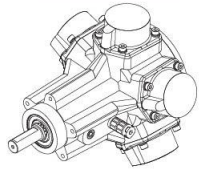


车间成品马达一览
Workshop finished pneumatic motor

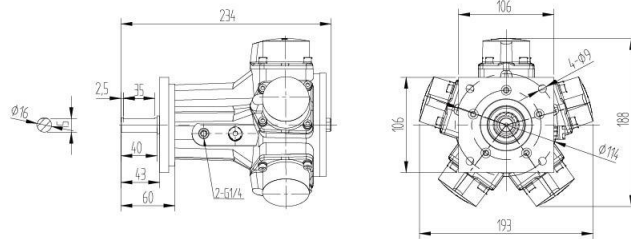
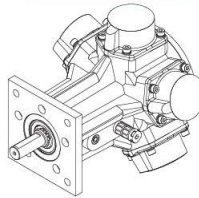
AMP系列活塞式气动马达 AMP Piston-type pneumatic motor



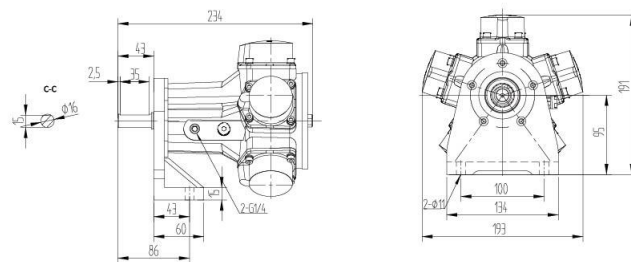
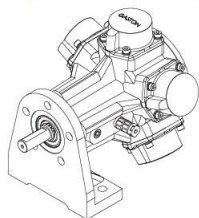
AMP5-T 基本式
AMP6-T Basic



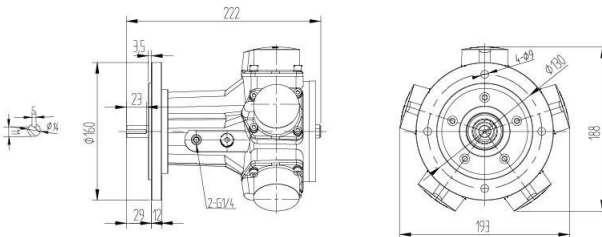
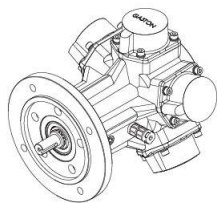
AMP5-F 立式
AMP6-F Vertical



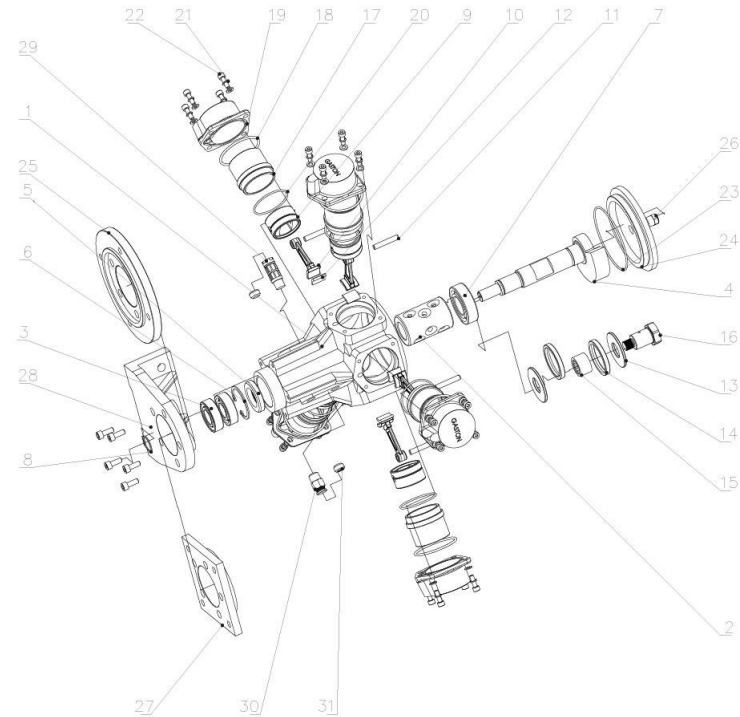
AMP5-L 卧式
AMP6-L Horizontal



AMP5-IEC 法兰式
AMP6-IEC Flanged



活塞式气动马达分解图 Piston air motor exploded diagram

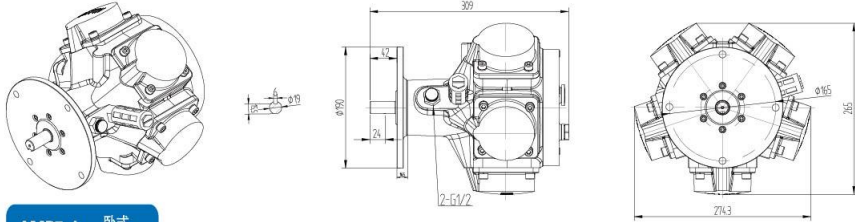


NO.	名称 Name	数量	NO.	名称 Name	数量	NO.	名称 Name	数量
1	马达本体 Housing	1	12	衬垫 Gasket	5	23	O型圈 o-rings	1
2	分配阀 Distributing valve	1	13	垫片 Body Gasket	2	24	马达盖 The motor cover	1
3	轴承 Drive End Bearing	2	14	O型环 o-rings	2	25	圆法兰 Round flange	1
4	马达主轴 The spindle	1	15	滚柱轴承 Roller bearing	1	26	通气孔螺丝 vent screw	1
5	油封 Shaft Seal	1	16	曲柄销 Crank shaft screw	1	27	立式四方盘 Square flange	1
6	孔用扣环 Hole card spring	1	17	气缸套 Cylinder liner	5	28	L型脚座 Horizontal plate	1
7	轴承 Drive End Bearing	1	18	O型环 o-rings	5	29	消音器 Muffler	1
8	轴用扣环 circlip	1	19	气缸套盖 Cylinder head	5	30	气管插头 Tracheal plug	1
9	活塞 piston	5	20	O型环 o-rings	5	31	堵头 Plug	2
10	连杆 Connecting rod	5	21	弹簧垫圈 Spring washer	20			
11	活塞插销 stop pin	5	22	内六角螺丝 Socket head screw	20			

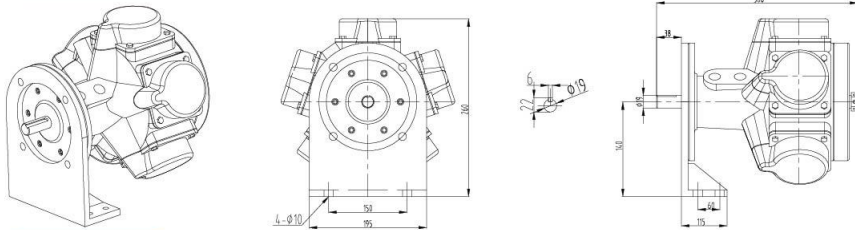
AMP系列活塞式气动马达 AMP Piston-type pneumatic motor



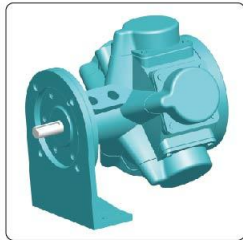
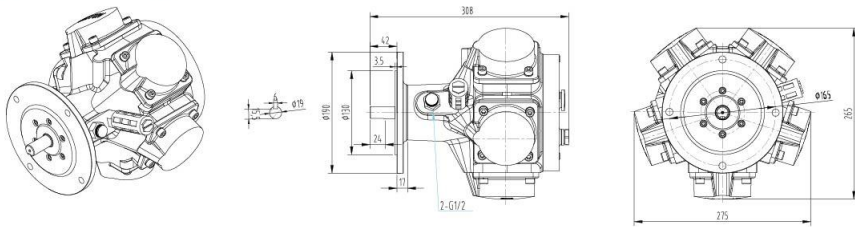
AMP7-F 立式
Vertical



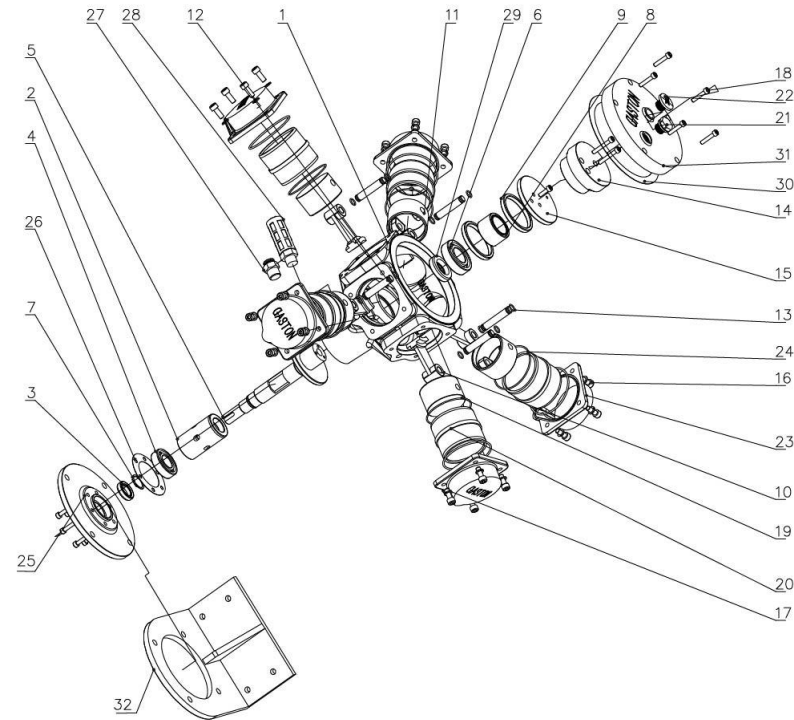
AMP7-L 卧式
Horizontal



AMP7-IEC 法兰式
Flanged



活塞式气动马达分解图 Piston air motor exploded diagram



NO.	名称 Name	数量	NO.	名称 Name	数量	NO.	名称 Name	数量
1	马达本体Housing	1	12	活塞插梢 stop pin	5	23	气缸套 Cylinder liner	5
2	分配阀Distributing valve	1	13	O型圈o-rings	10	24	O型圈o-rings	5
3	油封Shalf Seal	1	14	平行块A Parallel blockA	1	25	法兰盘 Round flange	1
4	轴承Drive End Bearing	1	15	平行块B Parallel blockB	1	26	垫片Body Gasket	1
5	马达主轴The spindle	1	16	内六角螺丝Socket head screw	20	27	气管插头Tracheal plug	1
6	轴承Drive End Bearing	1	17	弹簧垫圈Spring washer	20	28	消音器Muffler	1
7	轴用扣环 circlip	1	18	六角螺丝Socket head screw	5	29	油封Shalf Seal	1
8	滚柱轴承Roller bearing	1	19	O型圈o-rings	5	30	垫片 Body Gasket	1
9	O型圈o-rings	5	20	气缸套Cylinder liner	5	31	马达上盖The motor cover	1
10	连杆Connecting rod	5	21	油镜 Oil mirror	1	32	卧式盘 Horizontal plate	1
11	活塞piston	1	22	螺丝 screw	1			

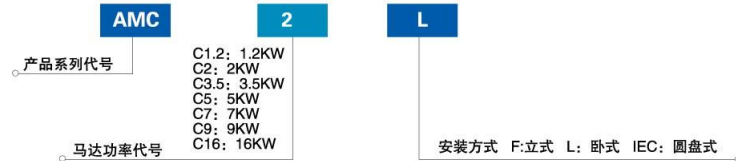
齿轮式气动马达参数表

Gear type pneumatic motor Technical parameter



型号 Model	工作气压 Mpa	功率 Power		转速 Speed		扭矩 Torque		耗气量 Air Consumption		旋转方向 ROTATION	重量 Weight		进气管直径 Input Hose (mm) Size
		HP	KW	自由速度 Free Speed	最大功率 时 At Max HP	Nm	lbf.ft	L/MIN	CFM		立式 Vertical	卧式 Horizontal	
				rpm/min									
AMCX1.2	0.4	1	0.75	6500	3800	1.9	1.4	900	31.8	双向	4.5	5.7	12
	0.5	1.3	1	6700	3950	2.5	1.8	1200	42.4				
	0.6	1.6	1.2	7300	4000	2.8	2.1	1680	59.3				
	0.7	2	1.5	7500	4500	3.1	2.3	2100	74.2				
AMCX2	0.4	2.3	1.5	6000	3700	3.8	2.8	2160	76.3	双向	5.5	6.8	16
	0.5	2.8	1.8	6200	3850	4.4	3.2	2400	84.8				
	0.6	3.3	2	6400	3800	5	3.7	2880	101.7				
	0.7	3.7	2.2	6500	3900	5.3	3.9	3240	114.4				
AMCX3.5	0.4	3.3	2	5200	2700	7	5.2	3480	122.9	双向	18.5	18.5	20
	0.5	4	2.5	5650	2850	8.3	6.1	4200	148.3				
	0.6	4.6	3.5	5900	3100	11	8.1	4500	158.9				
	0.7	5.3	4.5	6100	3200	13.5	10	4720	166.7				
AMCX5	0.4	5.6	3.5	4600	2700	12.4	9.2	3780	133.5	双向	24	24	20
	0.5	6.3	4.5	4800	2900	14.8	10.9	4440	156.8				
	0.6	7.3	5	5400	3000	17.5	12.9	4980	175.9				
	0.7	7.7	5.5	5500	3100	20	14.8	5520	194.9				
AMCX7	0.4	2	4.5	3700	2500	17	12.5	3970	140.2	双向	45	45	35
	0.5	2.6	6.5	3900	2750	22.5	16.6	5220	184.3				
	0.6	9.3	7	4100	3100	24.6	18.2	5520	194.9				
	0.7	5.46	9	4200	3200	26.8	19.8	5880	207.6				
AMC9	0.4	12	5	3500	2620	18.5	13.7	3820	134.9	双向	65	65	40
	0.5	16.6	7	3700	2820	24	17.7	5350	188.9				
	0.6	21.3	9	3900	2900	30	22.1	5770	203.8				
	0.7	26	11	4000	3000	35	25.8	6600	233.1				
AMC16	0.4	12	9	3400	2250	39	28.8	4380	154.7	双向	80	80	45
	0.5	16.6	12.5	3700	2470	49	36.2	5880	207.6				
	0.63	21.3	16	3900	2600	59	43.5	7620	269.1				
	0.7	26	19.5	4050	2650	70.5	52	9000	317.8				

马达的型号表示 Motor model representation



齿轮式气动马达

Gear type pneumatic motor



AMCX3.5-IEC



AMCX5-IEC



AMC16



AMCX1.2-FG



AMCX2-RV



AMCX5-RF



AMCX2-IEC



AMCX1.2-RV



AMC9

叶片式气动马达参数表

Blade-type pneumatic motor Technical parameter

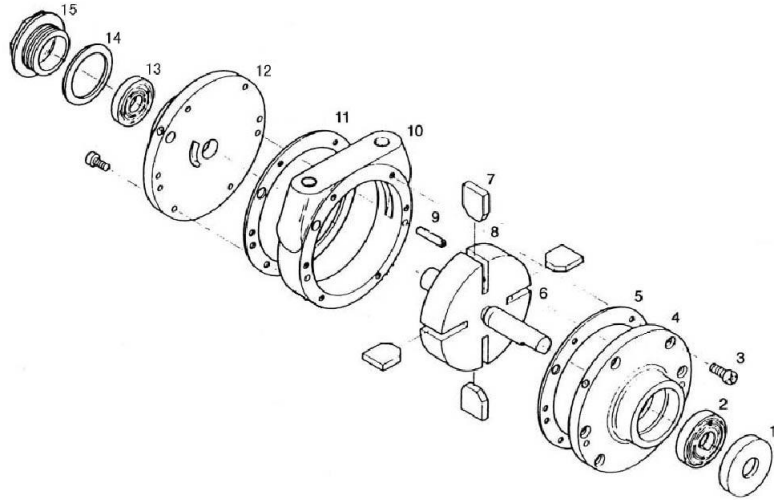


叶片式气动马达

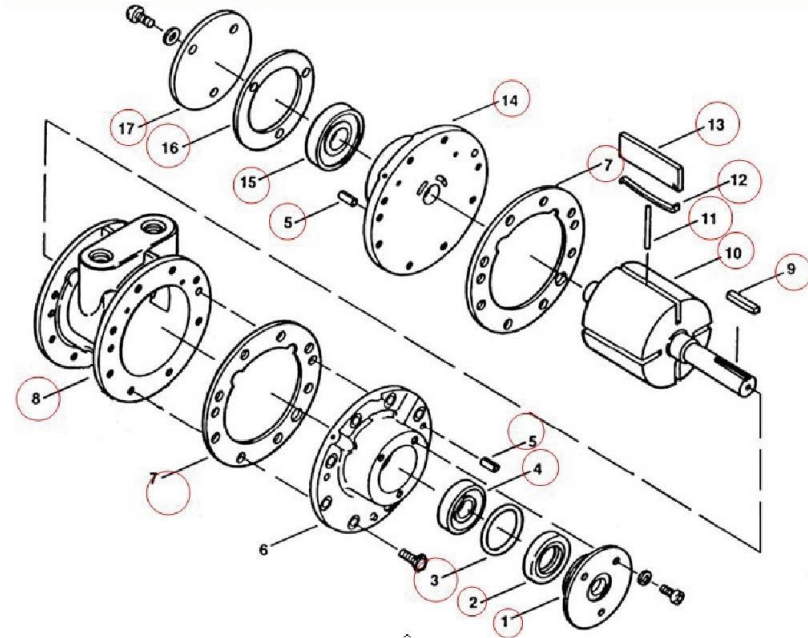
Blade-type pneumatic motor

型号 Model	减速比 Gear Ratio	最大功率时参数 Date At Max Power					最大扭矩时参数 Data At Max Torque				重量 (KG) Weight		
		功率 Power		扭力 Torque		速度 Speed	耗气量 Air Consumption	扭力 Max Torque		立式 Vertical	卧式 Horizontal	法兰式	
		HP	KW	N.m	lbf.ft	rpm		L/min	N.m	lbf.ft	KG	KG	KG
AMV1	1/3.5	0.5	0.37	0.6	0.4	6000	750	0.82	0.6	1	※	1.3	
	1/1.5			1.8	1.3	1700		3.2	2.4	1.6	1.9	1.9	
	1/143			8.1	6	400		16	11.8	2.5	2.8	2.8	
	1/150			21.2	15.6	139		35	25.8	2.8	3.2	3.1	
	1/150			35	25.8	40		58	42.8	3.2	3.6	3.5	
AMV0.68	1/3	0.93	0.68	2.2	1.6	3000	830	3.5	2.6	3.1	2.7	4.7	
	1/5			6	4.5	1000	8	5.9					
	1/10			10	7.5	600	14	10.3	11.2	9.5	※		
	1/120			20.5	15.1	300	31	22.9					
	1/120			40	29.2	150	65	48.0	13.6	13.8			
	1/60			115.5	85.2	50	187	138.0					
AMV1.3	1/3	1.7	1.3	4.1	3	3000	1800	6.3	4.6	3.9	4.3	5.9	
	1/5			11.5	8.5	1000	17	12.5					
	1/10			19	14	600	29	20.7	12.5	12.3	※		
	1/120			36	26.6	300	58	42.8					
	1/120			71	52.4	150	115	84.9					
	1/40			145	107	75	235	173.4	14.8	15.1	※		
	1/60			213	157.2	50	346	255.3					
	1/100			302	222.9	30	495	365.3	29	28.1			
	1/3			10	7.4	3000	12.8	9.4	7.4	9.5	11.9		
	1/5			27.5	20.3	1000	39	28.8					
AMV3	1/10	4	3	43	31.7	600	3600	61	45.0	23.8	24	※	
	1/120			91	67.2	300	130	95.9					
	1/120			175	129.2	150	261	192.6					
	1/40			358	264.2	75	550	405.9					
	1/50			435	321	60	689	508.5	38	37	※		
AMV3.9	1/10	5.2	3.9	506	373.4	50	4800	809	597.0				
	1/60			805	594	30	1305	983.1					
	1/100			14.8	10.7	2500	21	15.5	10.3	10.8	14.9		
	1/3			40	29.5	830	55	40.6					
	1/5			65	47.9	500	98	72.3	40.9	40	※		
AMV7	1/10	9.5	7	131	96.7	250	7700	203	149.8				
	1/20			259	191.1	125	402	296.7					
	1/30			396	377.9	80	625	461.3					
	1/50			628	463.4	50	1017	750.5	51.2	64.5	※		
	1/60			715	527.7	40	1168	862.0					
	1/100			1275	941	25	2075	1531.0					
	1/5.3			34	25	2000	53	39.1	33	33	36		
	1/9.9			170	125.5	375	243	179.3					
	1/15.35			305	225.1	200	446	329.1	61	64	※		
	1/27.88			465	343.2	130	695	512.9					
AMV8	1/27.88	10.6	8	851	628	70	12000	1321	974.9				
	1/47.58			1425	1051.7	42	2165	1597.8					
	1/59.92			1720	1269.3	30	2695	1988.9	99	102	※		
	1/80.91			2280	1682.6	24	3607	2662.0					
	1/103.2			2987	2204.4	19	4780	3527.6	256	266	※		
	1/156.31			4458	3290	12	7215	5324.7					
	1/4.93			22	16.2	3500	43	31.7	34	36	38		
	1/10			102	75.3	705	146	107.7	63	66	※		
	1/15.35			202	149.1	350	295	217.7					
	AMV9			1/23.4	12	9	305	225.1	228	8400	458	338.0	
1/36.84		461	340.2	149			703	518.8	100	99	※		
1/50.86		729	538	95			1125	830.3					
1/80.91		985	726.9	65			1537	1134.3					
1/103.2		1570	1158.7	40			2480	1830.2					
1/128.18		1955	1442.8	30			3085	2276.7	257	269	※		
1/156.31		2370	1749.1	25			3795	2800.7					
1/4.93		2860	2110.7	20			4630	3416.9					
1/10		36	26.5	2400			59	43.5	35	37	39		
1/15.35		171	167	485			240	177.1	64	67	※		
AMV9	1/23.4	12	9	340	335	240	8900	502	370.5				
	1/36.84			513	501	155	781	576.4					
	1/50.86			780	752	100	1204	888.6	101	100	※		
	1/80.91			1205	1180	65	1903	1404.4					
	1/103.2			1645	1607	45	2610	1926.2					
	1/128.18			2595	2536	29	4058	2994.8					
	1/156.31			3263	3230	23	5220	3852.4	258	270	※		
	1/4.93			4100	3855	18	6566	4845.7					
	1/10			4930	4613	15	7985	5892.9					





NO.	名称 Name	数量	NO.	名称 Name	数量
1	油封 Shaft Seal	1	10	马达壳体 Housing	1
2	轴承 Drive End Bearing	1	11	后端盖密封垫 And Cap Gasket	1
3	螺丝 screw	6	12	马达后端盖 Bead End Plate	1
4	马达前端盖 Drive End Plate	1	13	轴承 Drive End Bearing	1
5	垫片 Body Gasket	1	14	O型圈 o-rings	1
6	马达转子 Rotor	1	15	后盖封帽 Bead End Cap	1
7	叶片 Vane	4			
8	叶片弹簧 Vane Spring	2			
9	定位销 Dowel Pin	2			

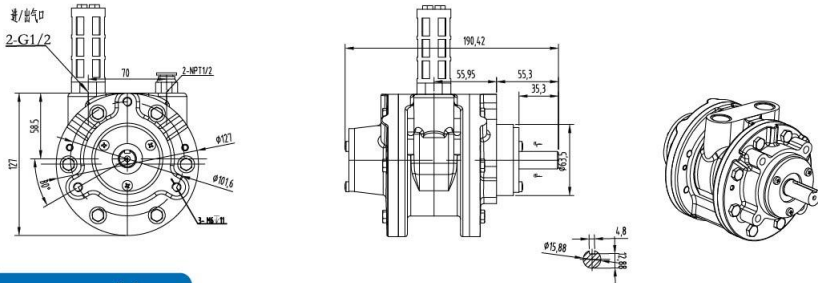


NO.	名称 Name	数量	NO.	名称 Name	数量
1	前盖封帽 End Cap	1	10	马达转子 Motor rotor	1
2	轴承 Drive End Bearing	1	11	顶杆 Ejector	4
3	O型圈 O-ring	2	12	叶片弹簧 Leaf Spring	4
4	轴承 Drive End Bearing	1	13	叶片 Blade	4
5	定位销 Dowel Pin	2	14	马达后盖 Motor cover	1
6	马达前端盖 Drive End Plate	1	15	轴承 Bearing	1
7	垫片 Body Gasket	2	16	后盖封帽 Cover cap	1
8	叶片弹簧 Vane Spring	4	17	马达后盖 Motor cover	1
9	键销 Key sales	1			

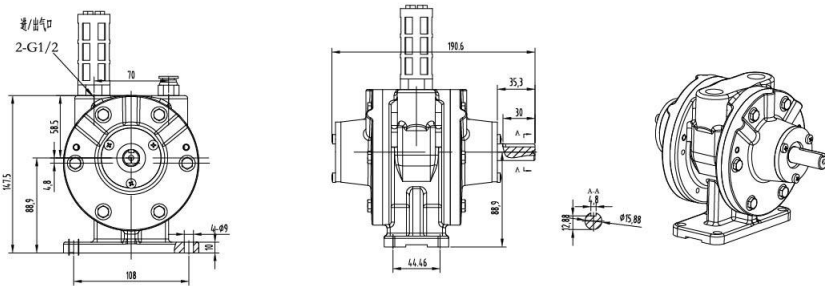
AMV系列叶片式气动马达
AMV type vane air motor



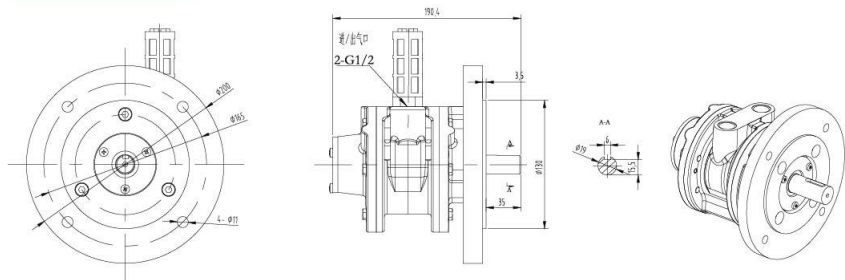
AMV3-F 立式
Vertical



AMV3-L 卧式
Horizontal

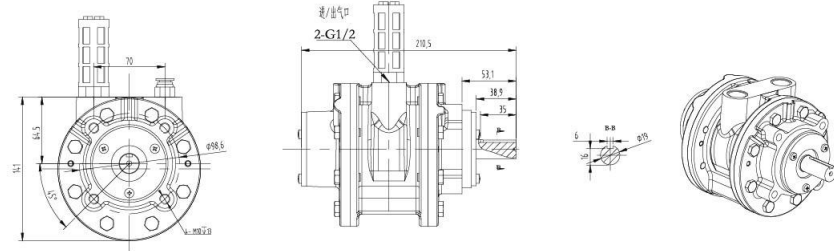


AMV3-IEC 法兰式
Flanged

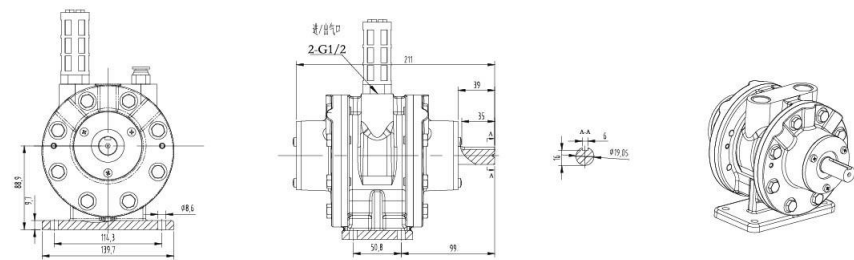


AMV系列叶片式气动马达
AMV type vane air motor

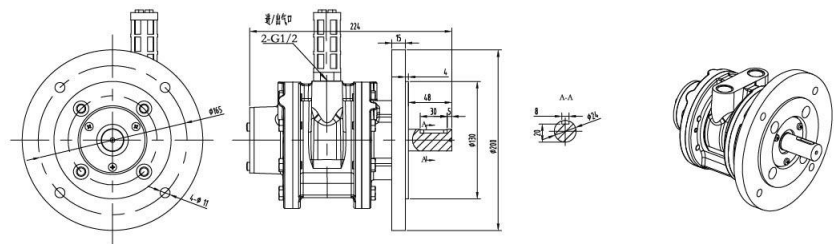
AMV3.9-F 立式
Vertical



AMV3.9-L 卧式
Horizontal



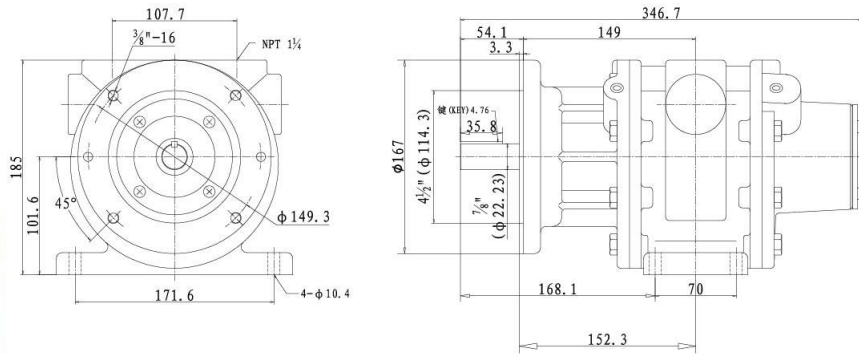
AMV3.9-IEC 法兰式
Flanged



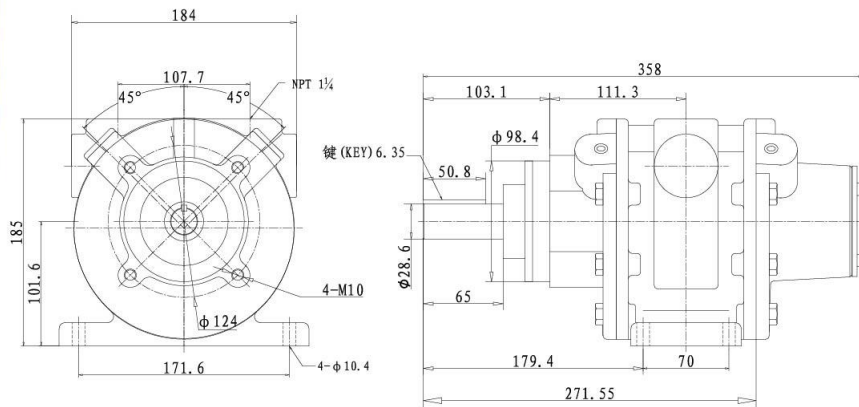
AMV系列叶片式气动马达
AMV type vane air motor



AMV7-F 立式
Vertical



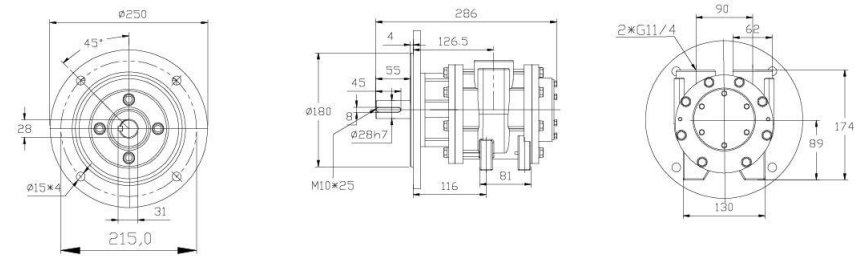
AMV7-L 卧式
Horizontal



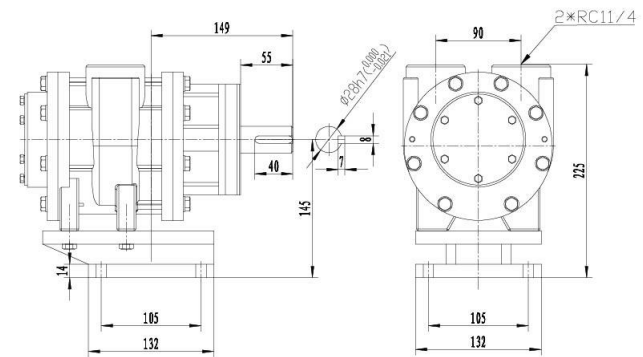
AMV系列叶片式气动马达
AMV type vane air motor



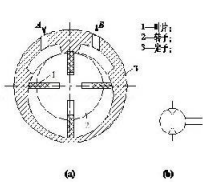
AMV9-F 立式
Vertical



AMV9-L 卧式
Horizontal



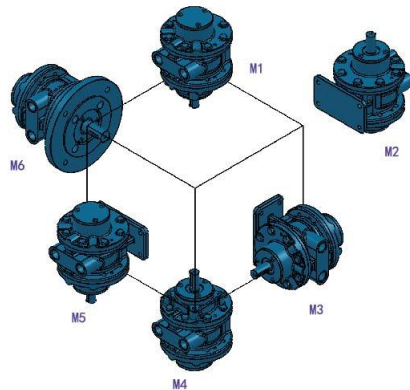
V气动马达的工作原理及用途 Tpe vane pneumatic motor principle of work and use



叶片式气动马达的工作原理如图所示是双向叶片式气动马达的工作原理。压缩空气由A孔输入，小部分经定子两端的密封盖的槽进入叶片底部(图中未表示)，将叶片推出，使叶片贴紧在定子内壁上，大部分压缩空气进入相应的密封空间而作用在两个叶片上。由于两叶片伸出长度不等，因此，就产生了转矩差，使叶片与转子按逆时针方向旋转，作功后的气体由定子上的孔B排出。

若改变压缩空气的输入方向(即压缩空气由B孔进入，从孔A孔排出)则可改变转子的转向。图-1双向旋转的叶片式马达(a)结构;(b)职能符号
Vane pneumatic motor principle of work as shown is the working principle of two-way blade type pneumatic motor. Compressed air from A hole input, a small number of thesealing cover at the ends of the stator slot into the bottom of the blade (pictured), will launch, blade to blade against on the stator inner surface, most of the compressed air into the corresponding sealed space and function on the two blades. As the two blade length ranging from, therefore, produces a torque difference, blades and rotors rotate in a counter-clockwise direction, after the work of gas discharge through hole B on the stator.
If change the direction of the input of compressed air (namely hole into the compressed air by B, ejection from the hole A hole) can change the turning of the rotor.

马达的安装位置 Installation position diagram of pneumatic motor



叶片式气动马达型号说明 Type vane pneumatic motor Explain



微型气动马达特点 Miniature pneumatic motor characteristics

- ※ 低气压启动, 耗气量小
- ※ 大功率 小体积
- ※ 高扭矩 小体积
- ※ 高转速 小体积
- ※ 外形简洁紧凑
- ※ 频繁启动, 频繁停机
- ※ 高适应性
- ※ 无级调速, 调节流量控制转速 简单调节扭力, 控制简单
- ※ 规格全, 品种多
- ※ 简单的结构, 长久耐用性、高可靠性
- ※ 高精度 定位精确
- ※ 具有防爆性能
- ※ 易维护、维修简单
- ※ The low pressure start, small consumption
- ※ The mental power of compact size
- ※ Does high torque is small volume
- ※ Does the high speed of compact size
- ※ Does appearance concise and compact
- ※ Does the frequent start, frequent downtime
- ※ High adaptability
- ※ Variable speed, adjust easily adjust flow control speed torque control
- ※ All specifications, many varieties
- ※ Simple structures, long durability and high reliability
- ※ High precision positioning accuracy
- ※ The explosion-proof performance
- ※ Easy to maintain, easy maintenance

应用范围 Application range

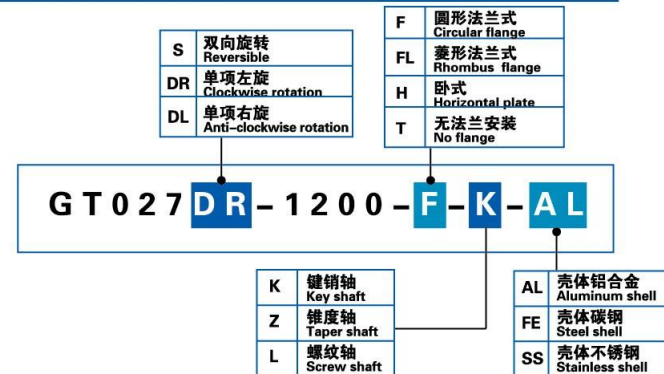
以上微型气动马达的特点和优点, 叶片式气动马达(空气马达 风动马达)特别能满足工业自动化、能根据不同系列, 不同规格选型应用到工业生产中, 切削加工(攻丝、抛光、钻削、打磨、铣削、倒角、去毛刺等)、组装修配(拧紧装配、打包、铆接...)、中轻型动力驱动、高扭力驱动、高转速驱动、安全防护、恶劣环境、高可靠寿命、控制方便灵活等要求的用途, 适合工业生产, 或安装到其它机械、机器设备做动力驱动, 或工程项目中等、高端应用。

Drive drive drive drive (tapping above mini air motor characteristics and advantages, vane pneumatic motor (air motor for pneumatic motor) in particular, can meet the requirement of industrial automation, according to different series, different specifications selection applied to industrial production, machining, polishing, drilling, grinding, milling, cutting, chamfering, deburring, etc.) and assembly (fastening assembly, packaging, riveting...), light power, high torque, high rotating speed, safety explosion-proof, bad environment, high reliability and high life, the control is flexible and convenient for use, and is suitable for industrial production, or to install other machinery, machine equipment for power, or project, high-end applications.

可用于各类机器、机械: 自动化机械、包装机械、旋盖机、食品饮料机械、搅拌机、灌装机、印刷机械、机床、管道疏通机、易燃易爆环境用的机器、坡口机、打包机、泵、鼓风机、卷扬机、绞盘车、阀门驱动、移动平台、马路喷线机、造纸机械、物料处理生产线、石油机械、装配生产线拧紧单元、输送设备、分度台、切割设备、攻丝机、船舶机械、木工机械、采矿机械、石化机械等。

Can be used for various types of machinery, mechanical, automation machinery, packaging machinery, rotary capping machine, food and beverage machinery, mixer, filling machine, printing machinery, machine tools, plumbing dredging machine, machine used in flammable and explosive environment, and beveling machine, packing machine, pump, blower, windlass, winch, valve drive, mobile platform, road spray line machine, papermaking machinery, material processing production line, petroleum machinery, assembly production line fastening unit, conveying equipment, indexing table, cutting equipment, tapping machine, ship machinery, woodworking machinery, mining machinery, petrochemical machinery etc. Can cooperate with all kinds of functional mechanism, system use: numerical control system, propulsion mechanism, positioning system, robot or manipulator, control system, speed control system, various types of sensors, all kinds of accessories, all kinds of functional components, Gaston pneumatic horse has been widely used in industrial automation.

GT系列气动马达型号GT series pneumatic motor type description



行星式气动马达参数表

Planetary-type pneumatic motor Technical parameter



行星式气动马达

Planetary-type pneumatic motor

编号 NABE	型号 TYPE	功率 Power		转速 Speed	扭矩 Torque				耗气量 Air Consumption		旋转方向 ROTATION	重量 Weight	进气管直径 Input Hose Size		
		KW	H P		自由速度 Free Speed		最大功率 耐时 Max.H.P		最大扭矩 时 Max.Static Torque					L/S	CFM
					rpm/min	rpm/min	Nm	lbf.ft	Nm	lbf.ft					
GT22S	GT22S-150	0.04-0.06	0.05-0.08	15000	7500	0.1	0.1	0.1	0.1	2.9	6.1	双向	0.15	6	
	GT22S-0320			3200	1600	0.4	0.3	0.7	0.5	2.9	6.1	双向	0.17	6	
	GT22S-0130			1300	650	1.1	0.8	1.7	1.3	2.9	6.1	双向	0.17	6	
GT27S	GT27S-130	0.1-0.16	0.14-0.22	13000	6500	0.2	0.1	0.2	0.1	3.8	8.1	双向	0.30	6	
	GT27S-0310			3100	1600	0.6	0.5	0.8	0.6	3.8	8.1	双向	0.30	6	
	GT27S-0190			1900	950	1.0	0.7	1.3	1.0	3.8	8.1	双向	0.30	6	
GT36S	GT36S-138	0.16-0.25	0.22-0.34	13800	6500	0.24	0.2	0.35	0.3	5.0	10.6	双向	0.65	8	
	GT36S-030			3000	1400	1.1	0.8	1.3	1.0	5.0	10.6	双向	0.85	8	
	GT36S-021			2100	1000	1.5	1.1	1.8	1.3	5.0	10.6	双向	0.85	8	
GT42S	GT42S-140	0.23-0.39	0.31-0.52	14000	7000	0.34	0.3	0.46	0.3	7.9	16.7	双向	0.98	10	
	GT42S-038			3840	1960	1.2	0.9	1.6	1.2	7.9	16.7	双向	0.98	10	
	GT42S-021			2100	1100	2.1	1.5	3.0	2.2	7.9	16.7	双向	1.10	10	
GT52S	GT52S-080	0.5-0.65	0.67-0.87	8000	4500	1.00	0.7	1.20	0.9	13	28	双向	0.8	12	
	GT52S-0280			2805	1550	3.00	2.2	5.0	3.7	13	28	双向	0.8	12	
	GT52S-0180			1850	1050	5.00	3.7	8.0	5.9	13	28	双向	1.0	12	
GT60S	GT60S-0650	0.58-0.84	0.78-1.13	6500	3300	4.5	3.3	4.8	3.5	31	65.7	双向	1.5	16	
	GT60S-0230			2330	1000	14	10.3	22	16.2	31	65.7	双向	2.8	16	
	GT60S-0150			1520	650	21	15.5	34	25.1	31	65.7	双向	2.8	16	
GT80S	GT80S-0090	1.4-1.8	1.88-2.45	935	450	31	22.9	53	39.1	31	65.7	双向	2.8	16	
	GT80S-00650			665	314	39	28.8	55	40.6	31	65.7	双向	3.8	16	
	GT80S-00480			480	205	71	52.4	106	78.2	31	65.7	双向	3.8	16	
GT100S	GT100S-060	2.5-3.0	3.4-4.0	6000	3000	6.5	4.8	6.9	5.1	52	110	双向	5.6	16	
	GT100S-0250			2500	1250	20	14.8	29	21.4	52	110	双向	7.6	16	
	GT100S-0180			1870	1065	27	19.9	39	28.8	52	110	双向	7.6	16	
GT100S	GT100S-0120	2.5-3.0	3.4-4.0	1230	690	40	29.5	90	66.4	52	110	双向	7.6	16	
	GT100S-0050			505	285	95	70.1	220	162.4	52	110	双向	7.6	16	
	GT100S-0033			330	185	150	110.7	330	243.5	52	110	双向	7.6	16	
GT100S	GT100S-00250	2.5-3.0	3.4-4.0	250	140	200	147.6	430	317.3	52	110	双向	7.6	16	
	GT100S-00160			165	95	300	221.4	630	464.9	52	110	双向	7.6	16	



20公斤 (5加仑) 气动防爆搅拌机系列

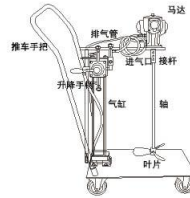
20kg(5 Gallon)Pneumatic explosion-proof agitator series



QD-A (配活塞式气动马达)
推车式气动升降搅拌机
Trolley-type pneumatic lifting agitator



QD-A (配叶片式气动马达)
推车式气动升降搅拌机
Trolley-type pneumatic lifting agitator



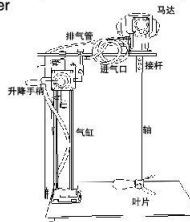
适用于搅拌20公斤-50公斤和直径40cm桶液料, 无段式速度调整。以气缸自由升降高度。配推车式可以自由移动。
地盘尺寸: 500mm x 400mm
升降高度后离地460mm
搅拌量: 20L-50L
可选配: 马达、不锈钢轴心、叶片、转速表
It is suitable for use with 20kg-50kg liquid-filled barrel of 40cm in diameter. There is stepless speed regulation. The cylinder freely moves up and down. The trolley is used for easy movement.
Floorplate dimensions: 500mm x 400mm
Leave the ground when being lifted 460mm
Working capacity: 20L-50L
Options: motor, stainless steel axis, blade and tachometer



QD-B (配活塞式气动马达)
台板式气动升降搅拌机
Trolley-type pneumatic lifting agitator



QD-B (配叶片式气动马达)
台板式气动升降搅拌机
Bedplate-type pneumatic lifting agitator



适用于搅拌20公斤-50公斤和直径40cm桶液料, 无段式速度调整。以气缸自由升降高度。
地盘尺寸: 500mm x 400mm
升降高度: 升高后离地460mm
搅拌量: 20L-50L
可选配: 马达、不锈钢轴心、叶片
It is suitable for use with 20kg-50kg liquid-filled barrel of 40cm in diameter. There is stepless speed regulation. The cylinder freely moves up and down.
Floorplate dimensions: 500mm x 400mm
Lifting height: leave the ground when being lifted 460mm
Working capacity: 20L-50L
Options: motor, stainless steel axis, blade

马达类型 Motor type	马达型号 Motor model	马力 Horsepower	轴心尺寸 Axis size	叶片 Blade	适应黏度 Adapt viscosity	机架表面处理 Frame surface treatment
活塞式马达 Piston motor	AMP2	0.18HP	轴 c 12*480	6" *1	0-2000CPS	酸洗磷化后 静电喷塑
	AMP3	0.25HP	轴 c 16*480	6" *1	0-3000CPS	颜色: 蓝色 可根据要求配色
	AMP4	0.33HP	轴 c 16*480	8" *1	0-5000CPS	
	AMP5	0.5HP	轴 c 16*480	8" *1	0-6000CPS	After pickling phosphate Electrostatic pensu Color: blue Colors available on request
叶片式马达 Blade motor	AMV0.68	0.9HP	轴 c 12*480	6" *1	0-2000CPS	
	AMV1.3	1.7HP	轴 c 16*480	8" *1	0-3000CPS	
	AMV3	4HP	轴 c 16*480	8" *1	0-5000CPS	



20公斤-50公斤 (5加仑) 气动防爆搅拌机系列

20kg-50kg (5 Gallon) Pneumatic Explosion-proof Agitator Series



QD-A-SUS-D1
不锈钢推车式气动升降搅拌机
Stainless steel trolley-type
pneumatic lifting agitator



QD-A-SUS-D2(附盖)
不锈钢推车式气动升降搅拌机
Stainless steel trolley-type
pneumatic lifting agitator

适用于搅拌20公斤-80公斤桶液料, 无段式速度调整。以气缸自由升降高度。配推车式可以自由移动。
地盘材质: 不锈钢304材质
机架表面处理: 拉丝或抛光处理
搅拌量: 20L-80L
可选配: 马达、不锈钢轴心、叶片、不锈钢盖
It is suitable for use with 20KG-80KG in diameter. There is stepless speed regulation. The cylinder freely moves up and down. The trolley is used for easy movement.
Floorplate material: stainless steel 304
Stand surface treatment: Brushed and polishing
Working capacity: 20L-80L
Options: motor, stainless steel axis, blade and stainless steel cover.



QD-A-SUS-D2(附盖)
不锈钢推车式气动升降搅拌机
Stainless steel trolley-type
pneumatic lifting agitator



QD-U-G(附盖)
U型架气动升降搅拌机
U pneumatic lifting agitator

不锈钢盖上装有密封圈, 盖子可随气缸上升下降, 可把搅拌桶压紧抱住, 保证在搅拌时物料不飞溅, 尘埃杂物不易进入桶内, 挥发性液体不易挥发同时方便移动。
地盘材质: 不锈钢304及碳钢材质
机架表面处理: 抛光处理, 喷塑处理
搅拌量: 20L-80L
A sealing ring is provided on the stainless steel cover moving up and down with the cylinder to securely hold down the agitating barrel so as to prevent no material splash, no entry of foreign matters into the barrel, ensure proper containment of volatile liquid and easy movement.
Floorplate material: stainless steel 304 and carbon steel
Stand surface treatment: polishing and plastic spraying treatment.
Working capacity: 20L-80L



QD-A-D1
加高型气动升降搅拌机
Heightened pneumatic lifting agitator

特殊定做升降高度, 可适合60L-80L标准塑料桶搅拌, 可加装夹具, 装四个移动轮子, 轻松搅拌, 移动方便。
With special customized lifting height, it is suitable for use with 60L standard plastic barrel. The product permits additional clamps. There are 4 moveable wheels for easy operation and movement.

马达类型 Motor type	马达型号 Motor model	马力 Horsepower	轴心尺寸 Axis size	叶片 Blade	升降行程 Adapt viscosity	机架表面处理 Frame surface treatment
活塞式马达 Piston motor	AMP3	0.25HP	轴 c 16*580	6**1	搅拌量: 20L-100L 加高升降行程: 400-700(mm)	酸洗磷化后 静电喷塑
	AMP4	0.33HP	轴 c 16*580	8**1		颜色: 蓝色 可根据要求配色
	AMP5	0.5HP	轴 c 16*580	8**1		After pickling phosphate Electrostatic pensu Color: blue Colors available on request
叶片式马达 Blade motor	AMV0.68	0.9HP	轴 c 12*580	6**1		
	AMV1.3	1.7HP	轴 c 16*580	8**1		

可按客户要求定做 According to customer requirements

四角架和双头气动搅拌机系列

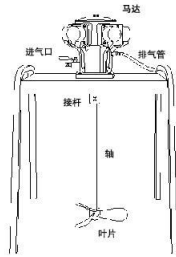
Quadrupod and double-headed pneumatic agitator



SL-A 四脚架搅拌机
配活塞式气动马达
SL-A 4-foot stand agitator
with piston pneumatic motor



SL-A 四脚架搅拌机
配叶片式气动马达
SL-A 4-foot stand agitator
with blade-type pneumatic motor



用于20-30公斤的方桶、圆桶、只要将液料桶放入四脚架内，即可搅拌作业，无段式速度调整。
地盘尺寸：460mm*350mm
四脚架高度：500mm（高度可根据要求定做）
搅拌量：20L-30L
可选配：电动马达、不锈钢轴心、叶片、桶夹具
It is for use with 20kg square and round barrels. Agitation may start soon after the liquid-filled barrel is placed into the 4-foot stand agitator. There is stepless speed regulation. Floorplate dimensions : 460mm x 350mm 4-foot stand height : 500mm Working capacity : 20L-30L Options : motor, stainless steel axis, blade and barrel clamp.

马达类型 Motor type	马达型号 Motor model	马力 Horsepower	轴心尺寸 Axis size	叶片 Blade	机架表面处理 Frame surface treatment
活塞式马达 piston motor	AMP2	0.18HP	轴 c 12"480	6" *1	酸洗磷化后
	AMP3	0.25HP	轴 c 16"480	6" *1	静电喷塑
	AMP5	0.5HP	轴 c 16"480	8" *1	颜色：蓝色
	AMP6	0.75HP	轴 c 16"480	8" *1	可根据要求配色
叶片式马达 Blade motor	AMV0.68	0.9HP	轴 c 12"480	6" *1	After pickling phosphate
	AMV1.3	1.7HP	轴 c 16"480	8" *1	Electrostatic pensu Color: blue Colors available on request

用于20-100公斤的方桶、圆桶、采用双气缸升降同时升降，可单独控制升降，可以控制正反转搅拌，机架附四个轮子可移动搅拌，换桶搅拌作业更方便，特别适合加大长桶搅拌，搅拌力更大更强劲，无段式速度调整。
地盘尺寸：500 mm x 450 mm，可根据要求定做
搅拌架升降高度：400 mm -600 mm可定做加高型
搅拌量：20L-100L

可选配：马达、不锈钢轴心、叶片、桶夹具

It is for use with 20-30kg square and round barrels for agitation with double cylinder moving up and down. Simultaneous or separate movement is allowed. Forward and reverse rotation is also allowed. 4 wheels attached to the stand are used for moveable agitation and changed barrel agitation. Thus, it is particularly suitable for use with extended barrel to allow stronger agitation. There is stepless speed regulation.

Floorplate dimensions : 500mm x 450mm Manufactured for customized requirements

Lifting height of agitation stand : 400-600mm

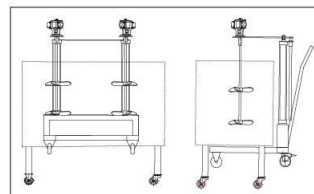
Working capacity : 20L-30L

Options : motor, stainless steel axis, blade and barrel clamp.

马达类型 Motor type	马达型号 Motor model	马力 Horsepower	叶片 Blade
活塞式马达 Piston motor	AMP2	0.18HP	6" *1 8" *1
	AMP3	0.25HP	6" *1 8" *1
	AMP5	0.5HP	6" *1 8" *1
	AMP6	0.75HP	6" *1 8" *1
叶片式马达 Blade motor	AMV0.68	0.9HP	6" *1 8" *1
	AMV1.3	1.7HP	6" *1 8" *1



TC-U-ST
双头启动防爆搅拌机
Double pneumatic explosion-proof agitator



手动升降搅拌机系列

Manual lifting agitator series



SD-A-P 台板式手动升降搅拌机
配活塞式气动马达
SD-A-P bedplate-type manual lifting agitator
with piston pneumatic motor



SD-A-V 台板式手动升降搅拌机
配活塞式气动马达
SD-A-V bedplate-type manual lifting agitator
with blade-type pneumatic motor



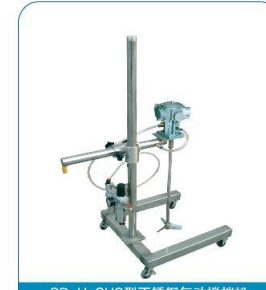
SD-A-S 手动升降搅拌机(附正反转阀)
配活塞式气动马达
SD-A-S Manual lifting agitator (with forward and reverse valves)
With piston pneumatic motor



SD-U-P 型框手动升降搅拌机
配活塞式气动马达
SD-U-P frame manual agitator
With piston pneumatic motor



SD-UD 型框手动升降搅拌机
配叶片式气动马达
SD-UD-frame manual agitator
With piston pneumatic motor



SD-U-SUS 型不锈钢气动搅拌机
配活塞式气动马达
SD-U-SUS-type stainless steel pneumatic agitator
With piston pneumatic motor

马达类型 Motor type	马达型号 Motor model	马力 Horsepower	轴心尺寸 Axis size	叶片 Blade	适应黏度 Adapt viscosity	机架表面处理 Frame surface treatment
活塞式马达 Piston motor	AMP2	0.18HP	轴 c 16"410	6" *1	0-2000CPS	酸洗磷化后
	AMP3	0.25HP	轴 c 16"410	6" *1	0-3000CPS	静电喷塑
	AMP5	0.5HP	轴 c 16"410	8" *1	0-5000CPS	颜色：蓝色
	AMP6	0.75HP	轴 c 16"410	8" *1	0-6000CPS	可根据要求配色
叶片式马达 Blade motor	AMV0.68	0.9HP	轴 c 16"410	6" *1	0-3000CPS	After pickling phosphate
	AMV1.3	1.7HP	轴 c 16"410	8" *1	0-5000CPS	Electrostatic pensu Color: blue Colors available on request

定制气动防爆搅拌机系列

Customized pneumatic explosion-proof agitator series



TG-DZ03

可抽真空搅拌，边搅拌边抽真空，可消除搅拌液体的泡沫，搅拌桶采用不锈钢304材质制作，内外可抛光处理，桶盖附有玻璃观察口。台车式设计，方便移动，节省空间，可广泛用于油墨，电子，制药，光纤，生化，印刷等。
 容量：10L-2000L等
 气动搅拌：1/4HP-10HP
 搅拌速度：0-1100rpm/min
 材质：304不锈钢及316不锈钢
 可根据客户不同需求定做。
 Agitation is permitted while making vacuum to eliminate foam arising from the liquid agitation. The agitating barrel, made of stainless steel 304, may be polished inside and outside. There is a sight glass over the barrel cover. Truck-type design is utilized for easy movement and less space to benefit applications in printing ink, electronics, pharmaceuticals, optical fibre, biochemical, printing, etc.
 Volume : 10L-2000L etc
 Pneumatic agitation : 1/4HP-10HP
 Working speed : 0-1100rpm/min
 Material : 304stainless steel and 316stainless
 Manufactured for customized requirements.



TG-DZ04

特别为高黏度物料设计，气动升降，底板式或U型框式可任意选择，搅拌叶片设计为螺旋式与框式结合使用，搅拌高黏度物料更加均匀搅拌力度更大。
 容量：10L-50L等
 气动搅拌：1/2HP-5HP
 搅拌速度：0-600rpm/min可调
 升降高度：400mm-600mm可定做高度
 搅拌量：20L-80L
 搅拌轴叶材质：304不锈钢及316不锈钢
 可根据客户不同需求定做。
 The product, designed for highly viscous material, moves up and down pneumatically. The baseplate or U-type frame construction is an option. The spiral agitating blades accommodate combined operation with frame ones, enabling more homogeneous agitation of highly viscous material in a controlled pattern.
 Volume : 10L-50L etc
 Pneumatic agitation : 1/2HP-5HP
 Working speed : 0-600rpm/min Adjustable
 Lifting height : 400mm-600mm Height up to your requirements
 Agitation capacity : 20L-80L
 Agitating blade is made of : 304stainless steel and 316stainless
 Manufactured for customized requirements.



TG-DZ05

采用叶片式马达，高速搅拌，搅拌轴头加装护套使搅拌更加平稳，防止马达润滑油渗漏，底座加装快卡式桶用夹具，高速搅拌时搅拌桶不易移动。
 A blade type motor is employed for agitation at high speed. The agitation shaft end is equipped with sleeve to enable stable operation and prevent spill of motor grease. The quick clip for barrel is provided at the baseplate to maintain the barrel stability during operation.



TG-DZ06

轻巧推车式设计，四个移动轮，方便移动，可小批量多桶搅拌作业。
 搅拌轴与搅拌叶片采用四氟材质，可用于高腐蚀性物料搅拌。
 Light-duty trolley-type design with 4 moveable wheels is employed to permit multi-barrel agitation in small batches. The agitation shaft and blades are made of tetrafluoride, and thus suitable for use with highly corrosive material.



定制气动防爆搅拌机系列

Customized pneumatic explosion-proof agitator series



TG-DZ07



TG-DZ08



TG-DZ09



TG-DZ10



TG-DZ11



TG-DZ12

手提式搅拌机系列

Portable agitator series



ST-A
配活塞式气动马达
Piston-type pneumatic motor

ST-V
配叶片式气动马达
Blade-type pneumatic motor

ST-A2
双手柄手提式搅拌机
Double-handle portable agitator

ST-B
手钻式手提式搅拌机
Drill-type portable agitator

- 手提式搅拌机轻巧便捷，携带方便
- 适合各类敞开桶搅拌，操作简单
- 手提式可搅拌涂料，树脂，化学品，食品添加剂环氧树脂，油墨等，适用于度和少量搅拌
- The portable agitator is easy to carry
- Suitable for use with all kinds of open barrels
- The portable agitator is suitable for work on small volume to paint, resin chemicals, food additives, epoxy resin, printing ink, etc.

马达类型 Motor type	马达型号 Motor model	马力 Horsepower	轴心尺寸 Axis size	叶片 Blade
ST-A	AMP3	0.25HP	φ 12mm*520mm	4" *1
	AMP4	0.5HP	φ 16mm*520mm	5" *1
	AMV0.68	0.9HP	φ 16mm*520mm	4" *1
ST-B	AMV1.3	1.7HP	φ 16mm*520mm	5" *1

ST-D1200
电动手提式搅拌机
Electric portable agitator

ST-D650
配活塞式气动马达
Electric portable agitator

大功率，齿轮减速，大扭矩输出，正反转电子调速，全橡胶包裹握柄，安全舒适，手提式可搅拌涂料，树脂，食品添加剂环氧树脂，化妆品，食用油类，油墨等，适用于度和少量搅拌

High power, gear reduction, output of high torque Electronic speed regulation in forward and reversed directions. The handles are fully rubber covered to give safety and comfort. The portable agitator is suitable for work on small volume of paint, resin, chemicals, food additives, epoxy resin, printing ink, etc.

型号 Model	功率 Power (kw)	空载转速 Free speed (rpm)	扭矩 Torque (Nm)	轴心尺寸 Axis size (mm)	叶片尺寸 Blade size (mm)	重量 Weight (kg)	电压 Voltage (V)
ST-D650	650	0-2800	12	12.7*550	100-120	2.9	220
ST-D650-B	650	0-850	30	12.7*550	100-200	3.1	
ST-D1100	1200	0-950	35	16*550	100-200	3.5	

可选配搅拌叶片 Piston air motor with



基本式气动搅拌机系列

Basic type pneumatic mixer series

MI-01

MI-02

MI-03

MI-04

MI-05

MI-06

MI-07

MI-08

MI-09

MI-10

MI-11

AMI-01

AMI-02

AMI-03

AMI-04

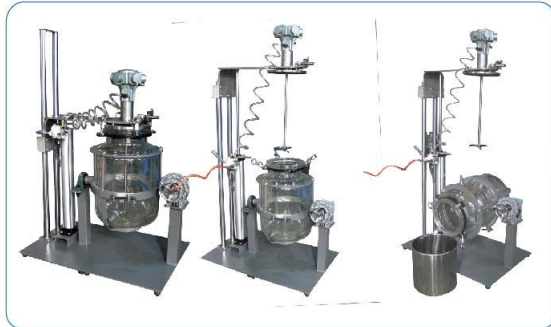
AMI-05

AMI-06

AMI-07

定制气动防爆搅拌机系列

Customized pneumatic explosion-proof agitator series



TG-DZ13



TG-DZ14



TG-DZ15



TG-DZ16



TG-DZ17



TG-DZ18



TG-DZ19



TG-DZ20



TG-DZ21



TG-DZ22



实验室气动防爆搅拌机系列

Lab pneumatic explosion-proof agitators



SY-A

不锈钢机架

桌上型搅拌机 (附快速夹头)
配活塞式气动马达
Desk-type agitator (with quick clip)
Piston-type pneumatic motor



SY-A1

桌上型手动升降气动搅拌机

配活塞式气动马达
Desk-type manual lifting pneumatic agitator
Piston-type pneumatic motor



SY-C

实验室搅拌机附转速显示器, 可实时显示马达转速, 可随时调整马达转速, 并附时间设定器, 可设定搅拌时间, 设定时间到自动停止搅拌, 适用于小量溶剂搅拌混合、制漆厂调色、化工实验室使用。经济实惠, 并附加夹具及附快速夹头, 可快速拆换搅拌轴
转速: 0-3000rpm
搅拌量: 1-10L

可选配: 不锈钢轴心、叶片、镀四氟搅拌轴心叶片
Lab pneumatic agitator has a speed indicator to give an indication of real-time motor speed. Motor speed change is permitted at any time. A time setting instrument is provided to set agitation time, beyond which the agitator will automatically stop running. The agitator is suitable for use with agitation of small volume of solvent, paint-making factor and lab. The agitator is furnished with clamps and quick clips for easy replacement of agitation shaft.
speed indicator: 0-3000rpm
Capacity of agitation: 1-10L
Options: stainless steel axis, blade, tetrafluoride-coated agitation axis blade



SY-A3

不锈钢机架

实验室搅拌机附夹具三附件
配活塞式气动马达
Lab agitator with clamps and 3 accessories
Piston-type pneumatic motor



SY-B1

镀锌机架

手动升降气动搅拌机 (附夹具)
配叶片式气动马达
Bogie-agitator attached to stainless steel barrels
Blade-type pneumatic motor



SY-A4

不锈钢机架

实验室搅拌机附夹具
配活塞式气动马达
Lab agitator with clamps
Piston-type pneumatic motor



SY-A5

不锈钢机架

实验室搅拌机附夹具
配活塞式气动马达
Lab agitator with clamps
Piston-type pneumatic motor

实验室气动搅拌机 (附快速夹头及三点组合) 适用于小量溶剂搅拌混合、制漆厂调色、化工实验室使用。经济实惠, 并附加夹具及附快速夹头, 可快速拆换搅拌轴
转速: 0-3000rpm
搅拌量: 1-10L

可选配: 不锈钢轴心、叶片、镀四氟搅拌轴心叶片
Lab pneumatic agitator has a speed indicator to give an indication of real-time motor speed. Motor speed change is permitted at any time. A time setting instrument is provided to set agitation time, beyond which the agitator will automatically stop running. The agitator is suitable for use with agitation of small volume of solvent, paint-making factor and lab. The agitator is furnished with clamps and quick clips for easy replacement of agitation shaft.
speed indicator: 0-3000rpm
Capacity of agitation: 1-10L
Options: stainless steel axis, blade, tetrafluoride-coated agitation axis blade

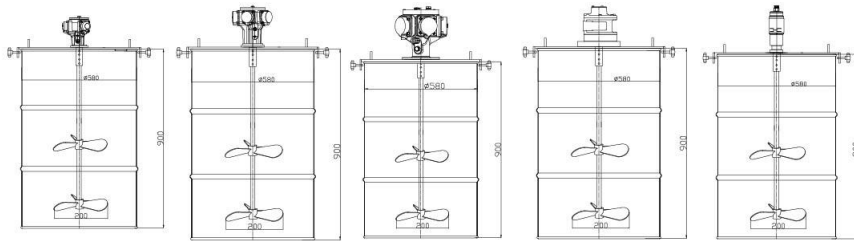
马达类型 Motor type	马达型号 Motor model	马力 Horsepower	轴心尺寸 Axis size	叶片 Blade	横板表面处理 Horizontal plate surface treatment
配活塞式马达 With piston-type motor	AMP2	0.18HP	轴 e 12.7*220	21/2" x 1	酸洗磷化后 静电模型 After pickling phosphate Electrostatic penu
	AMP3	0.25HP	轴 e 12.7*220	21/2" x 1	
配叶片式马达 With Blade-type motor	AMP0.68	0.9HP	轴 e 12.7*220	21/2" x 1	
	AMV1.3	1.7HP	轴 e 12.7*220	21/2" x 1	

200斤 (50加仑) 气动防爆搅拌机系列

200kg (50 Gallon) Explosion-proof pneumatic mixer series



横板式气动防爆搅拌机 Horizontal plate Explosion-proof pneumatic mixer



搅拌液体时，坚固的横版支架于200公斤桶上，能使搅拌机稳固于桶上，并可快速拆换至别桶使用。横版由6mm钢板制作，可稳固于200L桶面上。四个星型螺母使横版紧固于桶身，搅拌时不会晃动。如需正反方向搅拌可选配正反转控制。

操作简单，可快速拆换，适用于多桶之间搅拌。

For liquid agitation the robust cross slab is placed over 200kg barrel to fix the agitator on the barrel and permit quick relocation to any other barrels.

The cross slab is made of 6mm steel plate and mounted over 200L barrel.

The cross slab is mounted on the barrel with 4 star nuts to enable stable operation.

A forward and reverse valve may be considered for rotation in both directions.

The product operates easily, permits quick replacement and is suitable for agitation across a number of barrels.

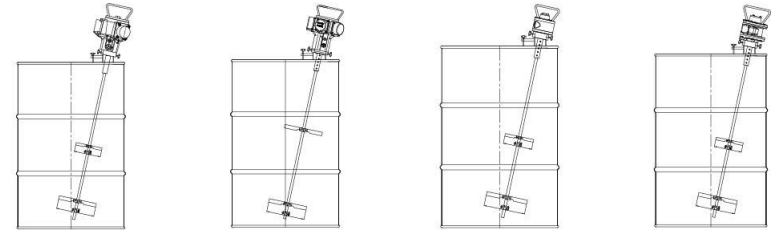
马达类型 Motor type	马达型号 motor model	马力 horsepower	轴心尺寸 size blade	叶片 Blade	横板表面处理 Horizontal plate surface treatment
配活塞式马达 With piston -type motor	AMP3	0.25HP	轴 ϕ 16*800	8" *2	酸洗磷化后 静电喷塑 After pickling phosphate Electrostatic pensu
	AMP5	0.5HP	轴 ϕ 16*800	8" *2	
	AMP6	0.75HP	轴 ϕ 20*800	8" *2	
	AMP7	1.1HP	轴 ϕ 20*800	8" *2	
配叶片式马达 With Blade -type motor	AMV1.3	1.7HP	轴 ϕ 16*480	8" *2	
	AMV3	4HP	轴 ϕ 20*800	8" *2	
	AMV3.9	5.2HP	轴 ϕ 20*800	8" *2	



200斤 (50加仑) 气动防爆搅拌机系列

200kg (50 Gallon) Explosion-proof pneumatic mixer series

伸展式气动防爆搅拌机 Stretch mixer Explosion-proof pneumatic



在桶盖没有打开的情况下伸缩式叶片可通过小口进入桶内搅拌，搅拌时可减少桶内液料的挥发搅拌液料不四处飞溅尘埃杂物不易落入桶内，可选螺旋式搅拌叶片台车式大功率附送轴套可根据要求加装三点组合，夹具，防护盘，电子转速表，可选配不同材质的轴心与叶片

When the barrel head is not opened, telescopic vane can be entered into the barrel through the small port to stir which can decrease the volatilization of fluid, also fluid will not be splashed and dust will not easy to fall into the barrel. Optional screw type agitating vane and car bottom big power shaft sleeve are available. According to the requirements, it also can be equipped with three units : clamp, guard plate and electronic tachometer. Can optional choose to use axes and vane with different materials.

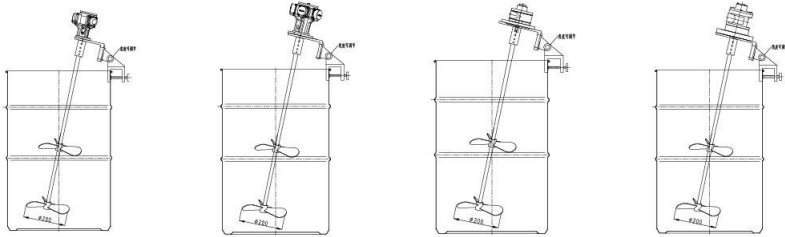
马达类型 Motor type	马达型号 motor model	马力 horsepower	轴心尺寸 size blade	叶片 Blade	横板表面处理 Horizontal plate surface treatment
配活塞式马达 With piston -type motor	AMP3	0.25HP	轴 ϕ 12.7*860	6" *2	酸洗磷化后 静电喷塑 After pickling phosphate Electrostatic pensu
	AMP5	0.5HP	轴 ϕ 12.7*860	6" *1 10" *1	
	AMP6	0.75HP	轴 ϕ 12.7*860	6" *1 10" *1	
配叶片式马达 With Blade -type motor	AMV1.3	1.7HP	轴 ϕ 12.7*860	6" *2	
	AMV3	4HP	轴 ϕ 12.7*860	6" *1 10" *1	

200斤 (50加仑) 气动防爆搅拌机系列

200kg (50 Gallon) Explosion-proof pneumatic mixer series



夹式气动防爆搅拌机 Clip-on pneumatic explosion-proof agitator



轻巧便捷带型夹式气动搅拌机是开放式液料桶的最佳选配。可轻易的把搅拌机夹在桶边，并可调制夹头搅拌角度。
 夹式气动搅拌机附防护盘
 防护盘的作用：天气温度过高时，大气温度高于气动马达，因而产生湿气。防止水滴破坏搅拌桶内的液体应附加防护盘
 Light-duty portable clip-on pneumatic agitator is the 1st option for open liquid-filled barrel, which is designed to fix the agitator on the barrel and permit adjustment of clip angle.
 Clip-on pneumatic agitator with protective hood
 Role of protective disc : at elevated temperature, where atmospheric temperature is higher than the temperature of pneumatic motor, humidity occurs. To protect the barrel contents from water, a protective hood should be provided.

马达类型 Motor type	马达型号 motor model	马力 horsepower	轴心尺寸 size blade	叶片 Blade	横板表面处理 Horizontal plate surface treatment
配活塞式马达 With piston -type motor	AMP3	0.25HP	轴 c 16*880	8**2	酸洗磷化后 静电喷塑 After pickling phosphate Electrostatic pensu
	AMP5	0.5HP	轴 c 16*880	8**2	
	AMP6	0.75HP	轴 c 16*880	8**2	
配叶片式马达 With Blade -type motor	AMV1.3	0.25HP	轴 c 16*880	6**2	
	AMV3	0.5HP	轴 c 16*880	6**2	

台车式气动防爆搅拌机系列

Mobile trolley Explosion-proof pneumatic Stretch mixer



NO.01



T-P-SUS 不锈钢架气动搅拌机
配活塞式气动马达
Stainless steel frame Pneumatic agitator
With piston pneumatic motor

NO.02



T-V-SUS 不锈钢架气动搅拌机
配叶片式气动马达
Stainless steel frame Pneumatic agitator
With blade-type pneumatic motor

大扭矩，高转速，省工省钱。
 地盘尺寸：620mm x 500mm
 升降高度：升高后离地1050 mm
 转速：0-3000rpm
 功率：0.5-5hp
 搅拌量：黏度<2000cps时为1000L
 黏度<5000cps时为300L
 黏度<8000cps时为200L
 可选配：不锈钢轴心叶片及减速机
 High torque, high speed, efficiency and economy
 Floorplate dimensions : 620mm x 500mm
 Lifting height : leave the ground when being lifted.
 1050mm
 Speed : 0-800rpm
 Power : 0.5-5hp
 Amount of Agitation : 1000L when viscosity<2000cps
 300L when viscosity<5000cps
 200L when viscosity<8000cps
 Options : stainless steel axis, blade and reduction gear

NO.03



TC-P-SUS200 台车式搅拌机附不锈钢桶
配活塞式气动马达
Truck-type agitator with stainless steel barrel
With piston pneumatic motor

NO.04



TC-V-SUS200 台车式搅拌机附不锈钢桶
配叶片式气动马达
Truck-type agitator with stainless steel barrel
With blade-type pneumatic motor

大扭矩，高转速，省工省钱。
 地盘尺寸：620mm x 500mm
 升降高度：升高后离地1050 mm
 转速：0-3000rpm
 功率：0.5-3hp
 搅拌量：黏度<2000cps时为1000L
 黏度<7000cps时为200L
 黏度<10000cps时为120L
 可选配：不锈钢轴心叶片及减速机
 High torque, high speed, efficiency and economy
 Floorplate dimensions : 620mm x 500mm
 Lifting height : leave the ground when being lifted. 1050mm
 Speed : 0-800rpm
 Power : 0.5-3hp
 Stirring volume : Viscosity <2000cps when 1000L
 Viscosity <7000cps when 200L
 Viscosity <10000cps when 120L
 Options : stainless steel axis, blade and reduction gear

马达类型 Motor type	马达型号 Motor model	马力 Horsepower	轴心尺寸 (不锈钢) Axis size (stainless steel)	叶片 (不锈钢) Blade (stainless steel)	叶片型式 Blade type	机架表面处理 Frame surface treatment
活塞式马达 piston motor	AMP5	0.5HP	φ20mm x 840/1170mm	三叶型8*1, 齿轮型8**1	可选三叶型, 齿轮型, 螺旋 An optional three-leaf type, Gear type, spiral	酸洗磷化后 静电喷塑 颜色: 蓝色 可根据要求配色 After pickling phosphate Electrostatic pensu Color: blue Colors available on request
	AMP6	0.75HP	φ20mm x 840/1170mm	三叶型8*1, 齿轮型8**1		
	AMP7	1.1HP	φ25mm x 840/1170mm	三叶型8*1, 齿轮型10**1		
叶片式马达 Blade motor	AMV0.68	4HP	φ20mm x 840/1170mm	三叶型8*1, 齿轮型8**1		
	AMV1.3	5.2HP	φ25mm x 840/1170mm	三叶型8*1, 齿轮型10**1		

可根据要求加装三点组合，夹具，防护盘，电子转速表，可选配不同材质的轴心与叶片
 3-location combination is provided on request, clamp, protective hood, electric tachometer, axis and blade of different materials are available

NO.05



TC-AMP7-A
台车式气动搅拌机附不锈钢盖
Truck-type pneumatic agitator provided with stainless steel cover

NO.06



TC-AMP5-A
台车式气动搅拌机附不锈钢盖
Truck-type pneumatic agitator provided with stainless steel cover

NO.07



扭矩提升
TC-AMV3-FG
台车式气动搅拌机附减速机
Truck-type pneumatic agitator provided with reduction gear

NO.08



TC-AMP7-B
台车式气动搅拌机附减速机
Truck-type pneumatic agitator provided with reduction gear

NO.09



TC-AMV3-FG-P
台车式气动搅拌机附不锈钢盖附泵浦
Truck-type pneumatic agitator provided with stainless steel cover and pumping

NO.10



TC-AMP4-P
台车式气动搅拌机附不锈钢盖附泵浦
Truck-type pneumatic agitator provided with stainless steel cover and pumping

NO.11



TC-AMP4-SUS
台车式气动搅拌机 (不锈钢机架)
Truck-type pneumatic agitator (stainless steel shelf)

NO.12



TC-AMP5
台车式气动搅拌机
Truck-type pneumatic agitator

NO.13



TC-AMV3
台车式气动搅拌机
Truck-type pneumatic agitator

NO.14



TC-LH-SUS
不锈钢台车式气动高剪切乳化机
Stainless steel trolley pneumatic high-shear emulsifier

NO.15



TC-AMP7-G
台车式大功率防护轴套
Car-bottom high power shaft protecting sleeve

NO.16



TC-AMP5-UG
台车式加高型升降搅拌机
Higher car bottom lifting agitator

台车式机型以坚固U型槽钢构成，适用于任何流体槽、圆桶。配有4个坚固的万向轮（2个固定式的、2个活动式的），使你轻易移动搬运。其中一组附有刹车，使台车安稳固定，并以气缸控制升降高度。

- ☆ 附不锈钢桶盖搅拌机可防止液体溅出并防止气味散发出来也可防灰层进入搅拌桶内
- ☆ 附泵浦可边搅拌抽吸液料，节省时间节省空间
- ☆ 附减速机可提升马达扭矩，可搅拌粘度大的液体和膏体

Truck-type agitator, mounted with robust U-channel, is suitable for use with any fluid barrels and round barrels. A set of 4 robust universal wheels (2 fixed wheels and 2 moveable ones) is used for easy handling purpose. A brake is provided to the wheel for securing the unit. A cylinder is used for lifting height control.

- ☆ Provided stainless steel cover is used to prevent material splash, odor release and dust entry into the barrel during operation.
- ☆ Provided pumping is used for material discharge while agitating to benefit efficient operation and less space.
- ☆ Provided reduction gear is used for higher motor torque to work on liquids and gypsums with high viscosity.

马达类型 Motor type	马达型号 Motor model	马力 Horsepower	轴心尺寸 (不锈钢) Axis size (stainless steel)	叶片 (不锈钢) Blade (stainless steel)	叶片型式 Blade type	机架表面处理 Frame surface treatment
活塞式马达 Piston motor	AMP5	0.5HP	φ20mm × 840/1170mm	三叶型8*1, 齿轮型8*1	可选三叶型, 齿轮型, 螺旋	酸洗磷化后 静电喷塑 颜色: 蓝色 可根据要求配色 After pickling phosphate Electrostatic pensu Color: blue Colors available on request
	AMP6	0.75HP	φ20mm × 840/1170mm	三叶型8*1, 齿轮型8*1	An optional three-leaf type, Gear type, spiral	
	AMP7	1.1HP	φ25mm × 840/1170mm	三叶型8*1, 齿轮型10*1		
叶片式马达 Blade motor	AMV3	4HP	φ20mm × 840/1170mm	三叶型8*1, 齿轮型8*1		
	AMV3.9	5.2HP	φ25mm × 840/1170mm	三叶型8*1, 齿轮型10*1		

可根据要求加装三点组合, 夹具, 防护盘, 电子转速表, 可选配不同材质的轴心与叶片
3-location combination is provided on request, clamp, protective hood, electric tachometer, axis and blade of different materials are available

台车式气动防爆搅拌机系列

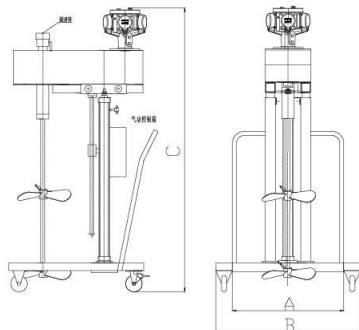
Mobile trolley Explosion-proof pneumatic Stretch mixer



TC-AT-AMP7
台车式自动升降气动搅拌机
Truck-type pneumatic agitator provided



TC-AT-SS-AMP7
台车式自动升降气动搅拌机
Truck-type pneumatic agitator provided



根据不同物料粘度可选配大功率气动马达，A-B-C尺寸可根据物料桶的尺寸定做，可加装时间设定器与转速表，搅拌叶片可根据要求定制。

标准配置：A:700mm B:1000mm C:1000mm
搅拌轴 搅拌叶片三叶型不锈钢304材质
机架材质：不锈钢304材质 碳钢喷塑处理

According to the different material viscosity can be equipped with high-power pneumatic motor, A - B - C size can be customized according to the size of the material barrel, can be mounted to the time setting and tachometer, mixing blades can be customized according to the requirements.

Standard configuration: A: 700 mm B: 1000 mm C: 1000 mm
Mixing blade of stirring shaft of 3 leaf type 304 stainless steel material
Agitator frame material: stainless steel 304 material of carbon steel pensu processing



适用于搅拌100-1000公斤桶搅拌，无段式速度调整，配推车式可以自由移动，以气缸自由升降高度，可边搅拌边升降，能够使物料受到分散、捏合、搅拌等多重作用，适用于高温、高固、高粘等高难度工况，在涂料、油墨、化工原料、食品、化妆品、锂离子电池液、电子浆料、粘合剂、硅胶、厌氧胶、等行业有着广泛应用。

此款搅拌机性能特点：

- 1.自动升降，自动搅拌
- 2.传动机构的合理设计与布局，使设备构造更紧凑，平衡性更高
- 3.流线型设备，外形更美观、精致
- 4.整机模块式结构，安装便捷，操作方便
- 5.整体气动控制安全防爆，可结合PLC设计与触摸屏显示控制，使操作更方便，更自动化

Suitable for mixing for 100-1000 kg drums, infinitely adjustable-speed, Car type can move freely, Cylinder can free lift height, Can lift while stirring, mixing multiple effect, suitable for high temperature, high solid, high viscosity, such as difficult condition, in coating, printing ink, chemical raw materials, food, cosmetics, liquid lithium ion battery, electronic paste, glue, silica gel, anaerobic adhesive, and other industries have a wide range of applications.

This mixer performance characteristics:

1. Automatic elevator, automatic mixing
2. The transmission mechanism of reasonable design and layout, make equipment more compact structure, higher balance
3. The streamlined shape, more beautiful, delicate
4. The whole machine module structure, installation is convenient, easy to operate
5. The overall aerodynamic control safe explosion-proof, can design in combination with PLC and touch screen control, make the operation more convenient, more automation

马达类型 Motor type	马达型号 Motor model	马力 Horsepower	轴心尺寸(不锈钢) Axis size (stainless steel)	叶片(不锈钢) Blade(stainless steel)	叶片型式 Blade type	机架表面处理 Frame surface treatment
活塞式马达 Piston motor	AMP7	1.1HP	φ25mm × 840/1170mm	三叶型8*1,齿轮型10*1	可选三叶型, 齿轮型, 螺旋	酸洗磷化后 静电喷塑 颜色: 蓝色 可根据要求配色 After pickling phosphate Electrostatic pensu Color: blue Colors available on request
	AMC3.5	4.7HP	φ25mm × 840/1170mm	三叶型10*1,齿轮型10*1		
叶片式马达 Blade motor	AMV3	4HP	φ25mm × 840/1170mm	三叶型8*1,齿轮型10*1	An optional three-leaf type, Gear type, spiral	
	AMV3.9	5.2HP	φ30mm × 840/1170mm	三叶型10*1,齿轮型10*1		

可根据要求加装三点组合，夹具，防护盖，电子转速表，可选配不同材质的轴心与叶片
3-location combination is provided on request, clamp, protective hood, electric tachometer, axis and blade of different materials are available



IBC 桶用搅拌机系列

IBC barrel agitator series



IBC-AMP6
IBC桶用气动搅拌机 配活塞式气动马达
IBC barrel pneumatic agitator
Piston-type pneumatic motor



IBC-AMV3.9
IBC桶用气动搅拌机 配叶片式气动马达
IBC barrel pneumatic agitator
Blade-type pneumatic motor

附减速机扭矩更大
Higher torque with reduction gear



IBC-AMP7-FG
IBC桶用气动搅拌机 配活塞式气动马达
IBC barrel pneumatic agitator
Piston-type pneumatic motor



IBC-AMV3-FG
IBC桶用气动搅拌机 配叶片式气动马达
IBC barrel pneumatic agitator
Blade-type pneumatic motor

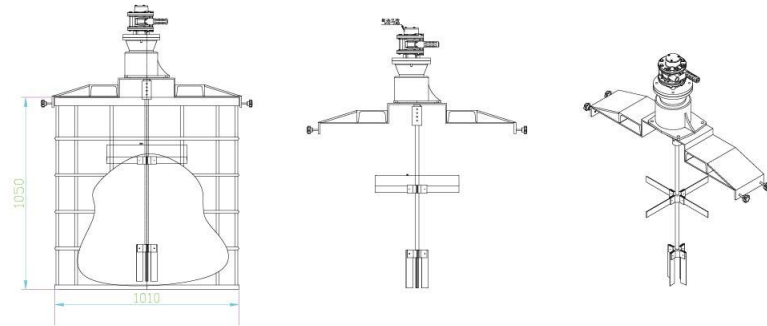
IBC 桶用搅拌机系列

IBC barrel agitator series



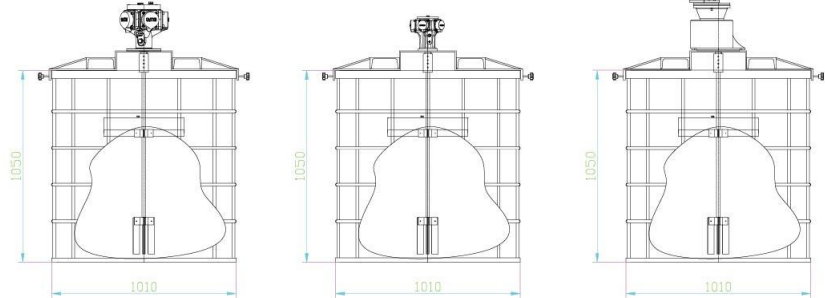
IBC 桶用搅拌机系列

IBC barrel agitator series



IBC-HB-AMV3-FG
IBC桶横版式气动防爆搅拌机
IBC barrel pneumatic explosion-proof agitator

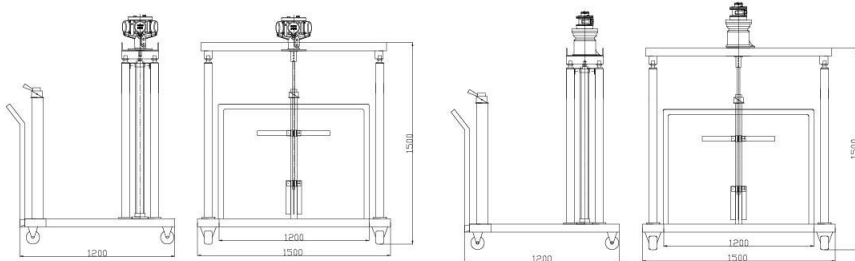
IBC-HB-AMV3-FG
IBC桶横版式气动防爆搅拌机
IBC barrel pneumatic explosion-proof agitator



IBC-HB-AMP7
IBC桶横版式气动防爆搅拌机
IBC barrel pneumatic explosion-proof agitator

IBC-HB-AMP6
IBC桶横版式气动防爆搅拌机
IBC barrel pneumatic explosion-proof agitator

IBC-HB-AMC3.5
IBC桶横版式气动防爆搅拌机
IBC barrel pneumatic explosion-proof agitator



TC-SQ-AMP7
IBC桶双气缸升降气动防爆搅拌机
IBC barrel Double cylinder pneumatic lifting pneumatic mixer

TC-SQ-AMV3.9-FG
IBC桶双气缸升降气动防爆搅拌机
IBC barrel Double cylinder pneumatic lifting pneumatic mixer



TC-IBC-AMP7-FG
IBC桶用单气缸升降气动搅拌机 配活塞式气动马达
IBC barrel with single cylinder lifting pneumatic mixer
Piston-type pneumatic motor

IBC-AMP5-HB
IBC桶用横版式气动搅拌机 配活塞式气动马达
IBC barrel cross-type pneumatic agitator
Piston-type pneumatic motor



IBC专用气动升降搅拌机以坚固U型槽钢构成，适用于1吨-1.5吨方桶或圆桶搅拌。配6个坚固的万向轮（2个固定式的、2个活动式的），使你轻易移动搬运。其中一组附有刹车，使台车安全稳定，并以气缸控制升降高度，采用导杆式升降，上升，下降顺畅，平稳，搅拌时支架不晃动。叶片采用伸缩式不锈钢搅拌叶片，可以在1吨桶用搅拌机小口进出自如。

此机可设计两个操作制阀，使其达到了边搅拌边升降（搅拌的同时全过程自动升降）的目的。大大节省了搅拌作业的时间，并使物料上下混合更加均匀。同时，由于搅拌桨在离开桶口后会自动停止转动，使操作更加安全，也避免了浆离开桶口继续转动造成的物料飞溅，污染周围环境。

IBC pneumatic lifting agitator, mounted with robust U-channel, is suitable for use with square barrel or round barrel of 1-1.5t. A set of robust universal wheel (2 fixed wheels and 2 moveable ones) is used for easy handling purpose. A brake is provided to the wheel for securing the unit. A cylinder is used for lifting control. Movement up and down is properly controlled with guide rod to ensure that the agitator frame is fixed during operation. The retractable stainless steel blades are employed to permit movement through the hole on 1t barrel agitator.

马达类型 Motor type	马达型号 Motor model	马力 Horsepower	轴心尺寸（不锈钢） Axis size (stainless steel)	叶片（伸缩式） Blade(extractable)
活塞式马达 Piston motor	AMP6	0.75HP	φ25mm×1000mm	20"×2
	AMP7	1.1HP	φ25mm×1000mm	20"×2
叶片式马达 Blade motor	AMV3	4HP	φ25mm×1000mm	20"×2
	AMV3.9	5.2HP	φ25mm×1000mm	20"×2

可根据客户要求制作 Manufactured for customized requirements.

不锈钢桶用搅拌机系列

Series of agitator for stainless steel barrel



TG-10 不锈钢真空搅拌机
Stainless steel vacuum agitator barrel

TG-10 不锈钢真空带视镜桶
Stainless steel vacuum barrel with sight glass

罐内外壁镜面抛光，焊缝圆角过渡，不挂料，易清洗罐外制作视镜，可观察桶内剪切，搅拌状况，采用特殊密封，可抽真空，可注压力，搅拌采用气动马达搅拌，防爆安全，可用于化工，精细化工，生物，轻工行业或酒精，汽油，甲苯等易燃易爆场合使用，节省空间，可广泛用于油墨，电子，制药，光纤，生化，印刷等。

The vessel is properly polished at internal and external walls, with transition of welds being chamfered to eliminate material buildup and ease cleaning. The vessel is furnished with sight glass for observation of shearing and agitation inside the barrel. Special seals are used to make vacuum. The vessel may be pressurized and agitated with pneumatic motor. Provisions are made against explosion during operation. It is suitable for use in the fine chemicals industry, biologic and light industries, or in workplaces exposed to alcohol, gasoline, methylbenzene and any other inflammables and explosives. less space to benefit applications in printing ink electronics, pharmaceuticals optica fibre, biochemical, printing, etc.

不锈钢加热搅拌机

Stainless steel heating agitating barrel

TG-Q-J200

TG-Q-J500

搅拌机采用不锈钢材料，采用双层桶水加热，桶外加装保温桶可以保温，可以设定加热温度，加热达到设定温度自动停止加热，低于设定温度自动加热，可加液位计，可显示液体位置高度，桶底部凸底，放料干净，清洗方便。适合黏度大的物料加热搅拌和冬天物料随温度变粘稠加热搅拌。

The agitating barrel, made of stainless steel, is heated up with water in double barrel. The barrel is insulated with wool outside to keep heat. The heating temperature may be set so that the barrel may automatically stop heating when the presetting is reached. Level gauge is permitted to give an indication of level change. The convex base is cleaning, and suitable for heated agitation of particularly considered for full discharge and easy highly viscous materials, and heated agitation of materials whose viscosity changes with temperature in the winter.

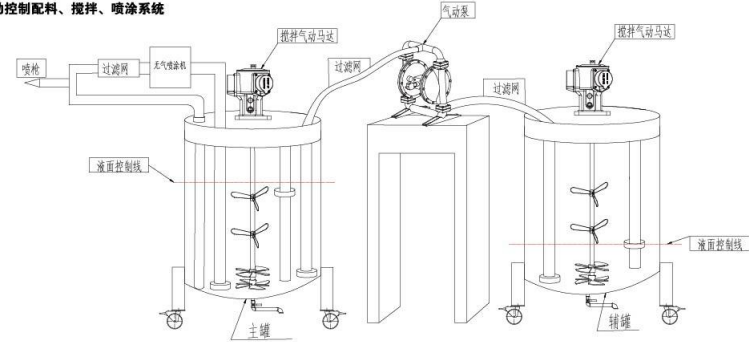
The agitating barrel may be sized for particular requirements.
Capacity of agitation : 50L-5000L
Heating temperature : 0-100 C
Material of agitating barrel : SUS304-SUS316
Agitating power : pneumatic motor and geared motor
Optionally, level gauge, thermometer, temperature control unit, lime setting instrument, etc. may be utilized.



全自动控制配料、搅拌、喷涂系统

Total pneumatic control batching, stirring and spray coating systems

全自动控制配料、搅拌、喷涂系统



工作原理：原料由辅罐倒入，在罐内进行搅拌。
通过气泵A由管道A抽出，在过滤网A处过滤进入主罐。涂料进入主罐后，进行单循环。

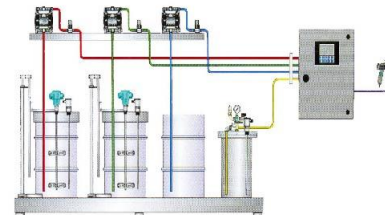
液面感应器：

- 主罐**
当主罐液面低于液面感应器的设定值时，启动气泵A，将辅罐中的涂料抽送进主罐。
当主罐液面高于液面感应器的设定值时，关闭气泵A。
- 辅罐**
当辅罐液面低于液面感应器的设定值时，启动报警。在控制柜可以手动启动泵B。

Operational principle : Raw material is poured into through auxiliary tank and then be stirred in the tank.
Through air pump A, raw material is extracted by pipe A and be filtered by filter screen and then be entered into the main tank.
After entering into the main tank, coating material will be carried on the single circulation.

Liquid level inductor :

- Main tank**
When the liquid level of main tank is less than the setting value of liquid level inductor, then the air pump A will be started and extracts the coating material in the auxiliary tank to the main tank.
When the liquid level of main tank is higher than the setting value of liquid level inductor, then the air pump A will be closed
- Auxiliary tank**
When the liquid level of auxiliary tank is less than the setting value of liquid level inductor, it will give an alarm.
Pump B will be started manually in the control cabinet.



工作原理：采用气动升降、气动搅拌，更换桶方便，效率高。采用报警式液位仪，液位低于设定位置可自动报警。采用气电结合控制，微电脑及PLC控制配色、配置。

Operational principle : Adopts pneumatic lifting and stirring, easy to change the drum and have high efficiency.
Adopts alarm type level instrument. When the liquid level is less than the setting value, it will give an alarm automatically.
Adopts combined pneumoelectric control, microcomputer and PLC to control match color and batching.



不锈钢桶用搅拌机系列
Series of agitator for stainless steel barrel



TS01



TS02



TS03



TS04



TS05



TS06



TS07



TS08



TS09



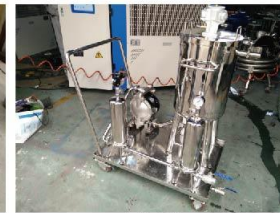
TS10



非标定制不锈钢桶用搅拌机系列
Series of agitator for stainless steel barrel



图(一)



图(二)



图(三)



图(四)



图(五)



图(六)



图(七)



图(八)



图(十)



图(十一)



图(十二)



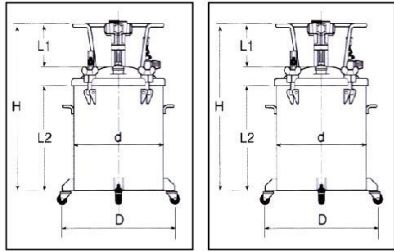
图(十三)

气动搅拌送漆桶
Pneumatic mixing lacquer bucket



AT-10L AT-20L AT-40L AT-60L AT-80L

气动搅拌送漆桶外形图
Outside view of pneumatic mixing lacquer bucket



1、本产品所有零件皆采用上好材质制造而成，组配前并经过严格品质管制，整体桶身拉伸成型，坚固耐用，整体外观部分更经特殊烤漆处理，故能达到经久耐用的目的。
2、本产品可使桶内涂料保持均匀，在喷漆作业中，不会因涂料沉淀而产生色差之困扰，其容量可满足您一切专业用途的需要，不仅仅只局限于漆料，就连其他材料也使用。
1、 All parts of this product are made from high quality materials. Strictly examine the quality of this product before assembly. Stretch forming, sturdy and durable. The whole body goes through special baking varnish disposal, so these products can stand wear and tear.
2. This products can keep the painting uniform in the barrel. During the painting, it will not give rise to chromatic difference due to the deposition of coating. Its capacity can meet everything of your professional special requirements. It's not only restricted to use the paint vehicle, but also can use the other materials.

型号 Model	容量(L) Capacity	加仑 Gallon	类型 Type	涂料出口 Export paint	最高使用压力 Working pressure	净重(kg) Netweight	桶尺寸 Pressure tank size				
							D(cm)	d(cm)	L1(cm)	L2(cm)	H(cm)
AT-10L	10L	2.5	气动马达 自动搅拌 Automatic mixing air motor	1/4"1个	5.0(kg/cm ²)	14.4	35	26	25	25.5	56
AT-20L	20L	5		1/4"2个		19.8	42	32.5	28	26	58
AT-30L	30L	7.5		1/4"2个		25.5	47	32.5	28	35	69
AT-40L	40L	10		1/4"2个		31.8	47	38.5	30	45	85
AT-60L	60L	15		1/4"2个		35.5	55	40	30	55	88
AT-80L	80L	20		1/4"2个		39.5	55	40	30	65	105
AT-100L	100L	25		1/2"2个		45	65	50	38	60	110
AT-120L	120L	30	1/2"2个	50.5	65	50	38	65	115		
S-10L	10L	2.5	手动搅拌 Manual mixing	1/4"1个	5.0(kg/cm ²)	12.2	35	26	25	25.5	56
S-20L	20L	5		1/4"2个		17.6	42	32.5	28	26	58
S-30L	30L	7.5		1/4"2个		23.3	47	32.5	28	35	69
S-40L	40L	10		1/4"2个		29.6	47	38.5	30	45	85
S-60L	60L	15		1/4"2个		32.2	55	40	30	55	88
S-80L	80L	20		1/4"2个		37.3	55	40	30	65	105
S-100L	100L	25		1/2"2个		42.6	65	50	38	60	110
S-120L	120L	30		1/2"2个		48.3	65	50	38	65	115

手动型压力桶系列
Manual pressure tank



S-10L S-20L S-40L S-60L

下放型压力桶 Lower pressure tank



P-2L

容量(加仑): 2L
最高使用压力Mpa (kgf/cm²): 0.5
涂料出口: 1/4
外箱尺寸(mm)L*W*H: 300x260x550
毛重(kg): 1.8KG
Volume (gallon): 2L
Max. working pressure: Mpa (kgf/cm²): 0.5
Coating outlet: 1/4
Carton size (mm) L*W*H: 300x260x550
Gross weight: 1.8KG



SX-30L

SX-40L

以上机型均适用于喷漆、烤漆、鞋面、木器、藤器、皮革等表面涂装，供输涂料之用，尤其是涂料易沉淀及连续作业的场所，避免喷涂色差的困扰。
可配一般喷枪或静电枪使用，减少倒漆次数，减轻喷枪重量，增加操控的灵敏度，提升效率，方便各种角度喷漆。
The above products are all applicable to spray paint, baking paint, wooden ware, rattan articles, leather and so on to supply and deliver the coating. Especially suitable for the coating which is easy to deposit and the condition which shall carry on the continuous operation to avoid the chromatic aberration.
Can be equipped with normal spray gun or static gun to use, so it's can reduce the pour painting times, reduce the weight of spray gun, increase the sensitivity of operation, enhance the efficiency and convenient to paint at every angle.



名称 Name	型号 Model	标准配置压力桶型号 Standard configuration pressure barrel model	规格 规格 φ x H(cm)
不锈钢内桶	LCC-10	AT-10L S-10L	18x25
	LCC-20	AT-20L S-10L	29x35
	LCC-40	AT-40L S-40L	35x42
	LCC-60	AT-60L S-60L	35x51
	LCC-80	AT-80L S-80L	35x63

不锈钢内桶需涂装多种颜色时，可以配多个内桶，缩短换色时间
Stainless steel inner barrel When needing to paint several colors, you shall use several inner barrels to save time.



气动泵系列

Pneumatic pump series



TG-P40 气压式油抽
Air pressure type pumping

TG-P60 排吸两用油抽
Double-duty pumping

气压式油抽适合密闭桶内使用。泵底座螺紋与桶螺紋拧紧使桶内密闭，气压进入桶内使桶内产生压力迫使液体流出泵口，使用简单，经济实用，安全防爆，特别适合于低粘度介质，如溶剂、酒精、乙醇、漂白液、盐酸、硝酸、硫酸等介质。

Air pressure type pumping is suitable to use in a closed barrel. Tighten the screws on the bottom of pump and barrel to make sure the barrel under the closed condition. Air pressure inside the barrel forces the fluid discharged from the pump. Easy to operate, economy and safety, especially suitable for low viscosity fluid, such as solvent, alcohol, ethanol, bleaching liquid, chlorhydric acid, nitric acid, sulfuric acid, etc.



排吸两用 Row of vacuums



性能参数 performance parameters

型号 Models	空气压力 Air pressure	真空度 Vacuum	吸入量 Inletion volume	流出量 Outflow	扬程 Head	空气耗量 Air consumption	入气孔 Into the hole	出料口 The discharge	最大比重 Max.share	最大粘度 Max.viscosity	泵管长度 Pump tube length
TG-P40	0.3-0.5kg/cm ²	4100mmAq	60sec	95sec	5m	0.19m ³ /min	1/4"	1"	1.3	0-500cps	1000mm 1200mm
TG-P60	0.3-0.5kg/cm ²	4100mmAq		95sec	10m	0.19m ³ /min	1/4"	1"	1.3	0-500cps	1000mm 1200mm

气动式桶泵 Pneumatic drum pump

TG-IP 柱塞泵
Plunger pump

性能参数 Performance parameters	
最大流量 Max.flow rate	20L/m
最大压力 Max.pressure	11m
最高温度 Max.temperature	SS:50℃
最大粘度 Max.viscosity	0-800cps
最大比重 Max.share	1.8
泵管长度 Length of pump pipe	100m
驱动方式 Driving mode	气动式

不锈钢手摇泵
Stainless steel hand pump

驱动方式 手摇式 Hand style	
最大流量 Max.flow rate	15L/min
最大粘度 Max.viscosity	0-3000cps
泵管长度 Length of pump pipe	1000m
口径 Caliber	1"

驱动方式 手摇气动式 Hand style	
最大流量 Max.flow rate	25L/min
最大粘度 Max.viscosity	0-2000cps
泵管长度 Length of pump pipe	1000m
口径 Caliber	1"

SD-P15

SQ-PA



TG高速无泄漏泵

TG high speed leak-tightness pump

TG P S 10X

- 1 2 3 4 5
1: 泵系列 TG系列
2: 主轴材质 P: 聚丙烯; V: PVDF 不锈钢;
3: 泵管材质s: 不锈钢H: 哈氏合金
4: 泵管长度07: 700mm; 10: 1000mm;
12:1200mm; 15: 1500mm; 18: 1800mm;
SXX: 非标

TG P S 10 X.

- 12 3 4 5.
1: pump series TG series.
2: Spindle Material P: polypropylene; V: PVDF; S:stainless steel;
3:pu mp tube material S: Stainless steel H: Hastelloy.
4: Pump tube length 07: 700mm; 10: 1000mm;
12: 1200mm; 15: 1500mm; 18: 1800mm;
SXX: non-standard.

TG系列高性能无泄漏桶泵包括4种标准插入长度可以满足大部分的使用工况，另外可以按实际要求定制长度。4种不同材质的泵管，可以适用绝大部分中型到强腐蚀性液体。

输送易燃易爆液体或在防爆区域使用时必须使用不锈钢材质泵管，并安装消除静电的电缆以防止产生静电火花而导致爆炸发生。

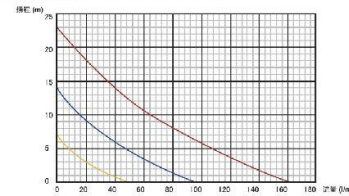
气动高速泵适用于绝大部分低粘度到中等粘度液体的输送，特别适合中低粘度介质，如汽油、煤油、酒精、香蕉水、松节油、油漆、溶剂、漂白液、盐酸、硝酸、硫酸等介质。

As for TG series high performance leak-tightness pump , there have four inserting lengths which can meet the requirements of most using conditions. In addition, it also can according to the actual requirements to design the length. There have four kinds of materials of pump pipe which can meet the requirements of most middle and strongly corrosion liquid. You must use the stainless steel pump pipe when delivering flammable and combustible liquids or working in the explosion proofing area. Static elimination cable shall be used to avoid generate the static spark and then give rise to explosion. Pneumatic high speed pump is suitable to deliver majority low and medium viscosity fluid, especially suitable for low-middle viscosity fluid, such as gasoline, kerosene, alcohol, banana oil, turpentine oil, oil paint, solvent, bleaching liquid, chlorhydric acid, nitric acid, sulfuric acid etc.

材质 Material

型号 Model	泵管 Pump pipe	轴 Shaft	O-RING	滑动轴承 Sliding bearing
TGFS	PP	304ss	VITON	PTFE
TGFS	PP	HC	VITON	PTFE
TGVH	PVDF	HC	VITON	PTFE
TGSS	304SS	304ss	VITON	PTFE

TG 系列曲线



TGPS07 PP气动泵
PP pneumatic pump

TGSS10 不锈钢气动泵
Stainless steel pneumatic pump

TGSS10-AMV1 不锈钢气动泵
Stainless steel pneumatic pump

注：以上曲线基于25℃，水为介质。流量受液体粘度比重影响，马达转速变化时流量扬程也会有相应的变化。
The above curves are based on the temperature of Note:25℃, water is the medium flow rate is effected by the viscosity ratio of fluid. When motor revolution is changed, flow rate will also be changed accordingly

产品类型 Product type	产品型号 Product model	流量 升/分 Flow (L/min)		功率 Power W	扬程 米 Head (m)		泵管长度 Pump pipe length	泵管材质 Pump material	轴材质 Shaft material	耐温 Temperature resistance °C	适用粘度 apply viscosity CPS	马达转速 Motor speed R/min	比重 proportion	出口 Exports (mm)
		41mm Pump Diameter	51mm Pump Diameter		41mm Pump Diameter	51mm Pump Diameter								
防爆 气动马达 640W	TGSS10-AMV640	100	150	640	10	12	1000mm	不锈钢	SS316L	100	700	14000	<1.5	25
	TGSS12-AMV640	100	150	640	10	12	1200mm	304L		100	700	14000	<1.5	25
	TGSS316-10-AMV640	100	150	640	10	12	1000mm	不锈钢		100	700	14000	<1.5	25
	TGSS316-12-AMV640	100	150	640	10	12	1200mm	316L	100	700	14000	<1.5	25	
	TGPS10-AMV640	100	150	640	10	12	1000mm	工程塑料	哈氏合金 C276	80	700	14000	<1.5	25
	TGPS12-AMV640	100	150	640	10	12	1200mm	PPHT		80	700	14000	<1.5	25
	TGVH10-AMV640	100	150	640	10	12	1000mm	氟塑料		100	700	14000	<1.5	25
	TGVH12-AMV640	100	150	640	10	12	1200mm	PVDF		100	700	14000	<1.5	25

TM中型泵

TM medium pump



TM系列中型桶泵流量适中，更加轻便，适用于小口径容器液体取样输送。特别适合低粘度介质，如溶剂，漂白液，盐酸，硝酸，硫酸等介质。共有不锈钢和PVDF两种材质，管径分别是38mm和42mm，模块化设计，与GT系列使用相同的马达。输送易燃易爆液体或在防爆区域使用时必须使用不锈钢材质泵管，并安装消除静电的电缆以防止产生静电火花而导致爆炸发生。 Pumping capacity of TM series medium pump is moderate. Portable structure and suitable for minor-caliber containers to sampling. Especially suitable for low viscosity medium, such as solvent, bleaching liquid, hydrochloric acid, nitric acid, sulphuric acid, etc. There have two materials, stainless steel and PVDF. Pipe diameters are 38mm and 42mm respectively. Modular design, and use the same motor with the GT series. You must use the stainless steel pump pipe when delivering flammable and combustible liquids or working in the explosion proofing area. Static elimination cable shall be used to avoid generate the static spark and then give rise to explosion.



TMVH PVDF气动中型泵
PVDF Pneumatic medium pump
可选配泵体
Optional pump



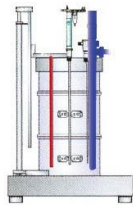
材质 Material				
型号 Model	泵管 Pump pipe	轴 Shaft	密封 Seal	其他液体接触部件 other wetted parts
MTSS	304ss	304ss	PTFE	PTFE
MTVH	PVDF	HC	PTFE	PTFE

产品类型 Product type	产品型号 Product model	流量 升分 Flow L/Min			扬程 米 Head m		泵管长度 Pump pipe Length	泵管材质 Pump pipe material	轴材质 Shaft material	耐温 Temperature resistance	适用粘度 apply viscosity	马达转速 Motor speed	比重 proportion	出口 Exports
		41mm Pump pipe Diameter	51mm Pump pipe Diameter	功率 Power W	41mm Pump pipe Diameter	51mm Pump pipe Diameter								
防爆 气动马达 370W	TGSS10-AMV1	60	90	370	7	8	1000mm	不锈钢	SS316L	100	300	7500	<1.3	25
	TGSS12-AMV1	60	90	370	7	8	1200mm	304		100	300	7500	<1.3	25
	TGSS316-10-AMV1	60	90	370	7	8	1000mm	不锈钢		100	300	7500	<1.3	25
	TGSS316-12-AMV1	60	90	370	7	8	1200mm	316		100	300	7500	<1.3	25
	TGPS10-AMV1	60	90	370	7	8	1000mm	工程塑料	SS316L或 哈氏合金 C276	80	300	7500	<1.3	25
	TGPS12-AMV1	60	90	370	7	8	1200mm	PPHT		100	300	7500	<1.3	25
	TGVH10-AMV1	60	90	370	7	8	1000mm	氟塑料		80	300	7500	<1.3	25
	TGVH12-AMV1	60	90	370	7	8	1200mm	PVDF		100	300	7500	<1.3	25

气动升降，边搅拌边抽料
Pneumatic lift, mixing while drawoffs



TC-BP01
气动搅拌机附泵
Attached pump of pneumatic mixer



TC-BP02
气动搅拌机附泵+液体传感器
Attached pump of pneumatic mixer + liquid level sensor



TC-BP03
气动泵附架子接料盘
Pneumatic pump, attached stock pan



LX型高粘度泵

High viscosity pump

LXM高粘度桶泵专为中高等粘度液体设计，输送如：胶水，油漆，乳胶，各类树脂，聚合物等。配合不同的马达可以输送不同粘度，最高输送粘度可以达到15,000cps。 LXM high viscosity pump is specially designed for high and medium viscosity fluid. Such as adhesive, oil paint, latex, each kinds of resin, polymers etc. Different viscosity can be delivered when equipped with different motor. The max. delivery viscosity can reach to 15,000cps.

性能参数 Performance parameters	
最大流量 Max. flow rate	38L/m
最大扬程 Max. pressure	40m(气动), 60m(电动)
最高温度 Max. temperature	90℃
最大粘度 Max. viscosity	15000cps
最大比重 Max. share	1.5
泵管长度 Length of pump pipe	1000mm
驱动方式 Driving mode	气动马达或电动马达 pneumatic or electric motor

LXM型、LXG型选配马达

马达 Motor			
型号 Model	名称 Name	功率 Power	转速 Speed
AM1.3	气动马达	1100W	300-3000rpm
AMV3	气动马达	3000W	300-3000rpm
AM3.9	气动马达	3900W	300-2500rpm
AMP5	气动马达	1100W	300-3000rpm
GM752	普通电机	750W	3000rpm



LXG高粘度螺杆泵

LXG High viscosity screw pump

LXG高粘度桶泵专为中高等粘度液体设计，输送如：胶水，油漆，乳胶，木工胶，各类树脂，食品果酱，浓缩汁，浓稠性糖浆，奶酪，聚合物等。配合不同的马达可以输送不同粘度，最高输送粘度可以达到30000cps。电动最高粘度可达到300000CPS。 LXM high viscosity pump is specially designed for high and medium viscosity fluid. Such as adhesive, oil paint, latex, each kinds of resin, polymers etc. Different viscosity can be delivered when equipped with different motor. The max. delivery viscosity can reach to 30000cps.

产品类型 Product type	产品型号 Product model	流量 Flow L/MIN	功率 Power W	压力公斤 Pressure KG	泵管直径 Pump pipe Diameter	泵管长度 Pump pipe Length	泵管材质 Pump pipe material	转子材质 Rotor material	定子材质 Stator material	耐温℃ Temperature resistance	适用粘度 Apply viscosity	马达转速 Motor speed R/min	出口 Exports (mm)	压力 Pressure (Mpa)	备注 Note
高粘度 螺杆 桶泵 High viscosity Screw barrel pump	LXG100-AMP6	35	560	5	51mm	1000mm	SS304L 或316L	SS304L 或316L	氟橡胶	-10~100	1万CPS	0-700	25mm	0.5-0.7	连续 工作 可定制 1200 长泵管
	LXG100-AMP6	22	560	5	51mm	1000mm				-10~100	3万CPS	0-700	25mm	0.5-0.7	
	LXG100-AMV3	40	3	5	51mm	1000mm				-10~100	5万CPS	0-1000	25mm	0.5-0.7	
	LXG100-AMV3.9	32	3.9	5	51mm	1000mm				-10~100	10万CPS	0-1000	25mm	0.5-0.7	
	LXG100-GT60	15	1200	3	51mm	1000mm				-10~100	20万CPS	0-500	25mm	0.5-0.7	
	LXG100-GT100	10	3000	3	51mm	1000mm				-10~100	30万CPS	0-500	25mm	0.5-0.7	

LXM高粘度螺旋杆

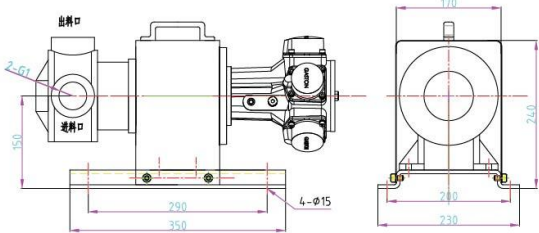
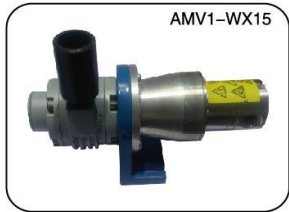
LXM High viscosity screw pump





CB型内啮合齿轮泵是一种结构先进，性能良好的容积式液体输送泵。该泵采用齿轮内啮合原理，内外齿轮节圆紧靠一边，另一边被泵盖上“月牙板”隔开，形成进液和排液腔，主轴上的主动内齿轮带动其中小齿同向转动，在进液腔齿轮相互分离形成负压而吸入液体，轮齿在排液腔不断进入啮合而将液体挤压输出。

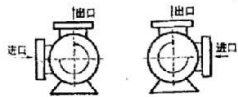
CB type internal gear pump is a kind of advanced structure, good performance of positive displacement liquid pump. Within the pump adopts the gear meshing theory, the internal and external gear pitch circle close to one side, the other side of the separated by a "link" on the pump cover form into liquid and liquid discharge chamber, the active internal gear drive with small teeth on the spindle direction turning, each other into the liquid cavity tooth form negative pressure and suction liquid separation, tooth in drain-age cavity continuously into the mesh and the liquid extrusion output.



CB 型内啮合齿轮泵工作原理图
CB type internal meshing gear pump working principle



泵的进出口和转向
Inlet/Outlet and Rotation Direction of the Pump



型号 Model	吸入及排出管口径 Diameter(mm)	转速 Speed(min)	容积 L/min	流量 Flow(m ³ /h)	出口压力 Pressure(Mpa)	功率 Power(kw)	气源压力 Pressure(Mpa)
CB25	25	300	20	1.2	0.3	0.75	0.6
CB40-F	40	300	25	1.5	0.3	0.75	0.6
CB40-C	40	360	66	3.0	0.4	1.5	0.6
CB40-D	40	300	133	3.5	0.45	2.2	0.6
CB50-A	50	400	166	6	0.5	3.5	0.6

使用范围：CB系列内啮合泵又称内啮合高粘度齿轮泵，是根据石油、化工、涂料、油脂、医药、染料、食品等行业的需求，研制开发的新型容积式泵，由于该产品可选用不同的材质和其独特的结构，因此广泛应用于不同性质，不同粘度的介质输送。

适用介质温度：-10℃—300℃。

适用介质粘度：1.0cst—300,000cst。

Use range: CB series inner gear pump is also called the method of high viscosity gear pump, is based on petroleum, chemical industry, paint, oil, medicine, dyes, food and other industries demand, research and development of a new type of positive displacement pump, because the product can choose different material and its unique structure, therefore widely used in different nature, different viscosity of media transmission.

Applicable medium temperature: -10℃, 300℃.

Applicable medium viscosity: 1.0 CST - 300000 CST.

应用:该高粘度泵适用于石油、化工、涂料、油脂、医药、染料、食品等行业。应用包括输送有机酸、脂肪酸、碱性物质、奇性碱、苏打水、聚合物、肥皂、洗发精、动物脂肪、菜油、巧克力、糖蜜以及其他特殊流体。

Application:The high viscosity pump is suitable for petroleum, chemical industry, paint, oil, medicine, dyestuff, food and other industries.

Applications include transport organic acid, fatty acid, alkali, caustic soda, soda water, polymer, soap, shampoo, animal fat and vegetable oil, chocolate, molasses, and other special fluid.

优点:

1. 该高粘度泵特别适用高粘度稠度介质的输送。
2. 输送液体平稳、无脉动、振动小、噪音低。
3. 该高粘度泵的转速与流量呈线性函数关系，可适当改变转速来改变泵的流量。高粘度泵特别适用与高粘度介质的输送。高粘度泵轴端采用机械密封。
4. 该高粘度泵最大限度的防止泄漏。
5. 适于户外安装，全封闭的磁力联轴器腔可以保护外磁体不与潮湿或外部物质相接触。
6. 有很强的自吸性能。
7. 正确选用零件材料，可输送多种有腐蚀性的介质，使用温度可200℃。
8. 内外转子转向相同，磨损小，使用寿命长。

Advantage:

1. The high viscosity pump specially for transport of high viscosity medium consistency.
2. Smooth conveying liquid, no pulse, little vibration, low noise.
3. The high viscosity pump flow linear function relation, and the rotation speed can be appropriately change the rotation speed to change the flow of the pump. Especially for high viscosity pump and the transmission of high viscosity medium. High viscosity pump shaft end adopts mechanical seal.
4. The high viscosity pump maximum to prevent leakage.
5. Suitable for outdoor installation, totally enclosed magnetic coupling cavity can protect the outer magnet and damp or external physical contact.
6. There is a strong self-priming performance.
7. Correct selection of component materials, can transport a variety of corrosive medium, using temperature is 200℃.
8. Internal and external rotor to same, wear small, long service life.

气动小型不锈钢离心泵

Small-sized pneumatic stainless steel centrifugal pump



ZXSD 型离心泵
ZXSD Centrifugal pump



ZXS 型离心泵
ZXS Centrifugal pump



ZXSB 型离心泵
ZXSB centrifugal pump

小型耐腐蚀泵可输送温度不高于90℃直联式或不高于105℃有细小软颗粒或纤维质，带腐蚀性或有卫生要求的液体，ZXS系列泵还具有自吸性能，两系列泵广泛适用于食品、饮料、医药、污水处理、化工、电镀、漂染、精细化工等防爆场合行业使用。不锈钢自吸泵产品集优良结构、性能、造形于一身，兼过流零部件及连接架采用优质不锈钢材料制造，所以，两系列不锈钢产品具有耐腐蚀性能可靠，使用、维护方便、结构紧凑、能降耗、密封性能好等一系列优点。

Small-sized coupled-resisting pump can be used to transport direct-coupled(not higher than 90℃), has fine particles or cellulosic fiber (not higher than 105℃) fluid which, has the sanitary requirement. ZXS series pump also has the self-priming function. These two series pump is widely applicable to food, beverage, medicine, sewage treatment, chemical industry, electroplate, dyeing, fine chemicals and so on explosion protection required place. Stainless steel self-priming pump combines good structure, performance and style in one. Spare parts and link span are made from good stainless steel materials. So these two series products have the advantages of good corrosion-resistance, easy to operate and maintain, compact structure, low energy consumption, good sealing performance, etc.

ZXSD型气动自吸泵参数 ZXSD Parameters of pneumatic self-priming pump

型号 Models	流量 Flow	扬程 Pumping head	转速 r/min	自吸性能 miv/sim	气源压力 Mpa	耗气量 m ³ /min	马达功率 KW
ZXSD32-13	5	25	3000	2	0.5-0.7	2.2	1.3
ZXSD32-30	3	35	3000	2	0.5-0.7	3.6	3
ZXSD32-39	4.5	40	3000	2	0.5-0.7	4.8	3.9
ZXSD32-90	5	45	3000	2	0.5-0.7	8	9

ZXS型气动自吸泵参数 ZXS Parameters of pneumatic self-priming pump

型号 Models	马达功率 Motor power KW	气源压力 Air pressure Mpa	耗气量 Air consumption m ³ /min	泵口径 pump caliber (mm)	效率 Efficiency %	扬程H Pumping head (M)	流量Q Flow (m ³ /h)	允许阻止 真空高度 (米)
ZXS-25-6	0.68	0.5-0.7	2.2	25	40	H: 8 7 6 5 4 3 M: 3 3.5 4.5 4.8 5.2 5.5	5.5	
ZXS-25-12	1.3	0.5-0.7	3.6	25	40	H: 13 12 10 8.5 6.5 10 M: 8 8.5 7.5 12 10 8	4	
ZXS-40-14	3	0.5-0.7	4.8	40	49	H: 18 16 14 12 10 8 M: 10 12 14 16.5 17.3 18.5	4	
ZXS-50-18	3.9	0.5-0.7	8	50	50	H: 24 22 20 18 16 14 M: 14.5 16.5 19 20.5 22 23.8	4	

ZXSB型气动自吸泵参数 ZXSB Parameters of pneumatic self-priming pump

型号 Models	马达功率 Motor power KW	气源压力 Air pressure Mpa	耗气量 Air consumption m ³ /min	泵口径 pump caliber (mm)	效率 Efficiency %	扬程H Pumping head (M)	流量Q Flow (m ³ /h)	允许阻止 真空高度 (米)
ZXSB-25-40	0.3	0.5-0.7	2.2	25	20	40	H: 11 10 9 8 6 4 3 M: 0.8 2.5 4 5 2.8 7.5	5.5
ZXSB-25-12	0.68	0.5-0.7	3.6	40	25	40	H: 15 14 13 10 8 5 M: 3.5 5 7 2.5 9.5 11 12.5 13	4
ZXSB-40-14	1.3	0.5-0.7	4.8	50	40	49	H: 22 20 18 16 14 12 10 M: 2 3.5 5 13 16 20 21	4
ZXSB-50-18	3	0.5-0.7	8	50	40	50	H: 27 26 24 22 20 18 16 14 13 M: 1 7.5 8.5 10 12 22.8 8 22 23.8	4

气动风机的作用

气动风机使用气动马达驱动安全防爆，气动风机能为煤矿井下、化工厂、造船厂、炼油厂、发电厂、造纸厂和油库、危险品仓库、海军舰艇和钢铁厂等厂矿使用，煤矿井下吹排煤矿井下通风死角，特别是隅角区域聚集的瓦斯和有害气体，企业需要人工进入检修孔进行作业时提供完美的通风、排气方面解决方案，任何可能出现带有有毒、有害气体、易爆、危险气体的浓烟场合，诸如进入塔类设备、罐类设备、大型管系统或者有限的空间检修的情况下，需要排出这类危险的气体，而且在这类重大的检修场合，我们为操作人员提供合适的温度环境，排除有害气体，堆放易燃易爆品的仓库，由于仓库通风差使用电动的有安全隐患，气动安全防爆性能好。我们能为客户提供高效、轻便的压缩空气式风机来帮助产生一个安全、健康的工作环境从而提高工作效率。

The role of the pneumatic fan

Pneumatic use pneumatic motor drive safe explosion-proof fan, fan for coal mine, chemical plant, shipyard, oil refineries, power plants, paper mills and oil depot, hazard goods warehouse, naval vessel and steel factories and mines, the coal mine blowing line of coal mine ventilation blind Angle, especially the corner area gathered gas and harmful gas, enterprises need to manually enter the manhole during operations provide a perfect solution of ventilation and exhaust, any possible with endanger human body, explosive, toxic or hazardous gases of smoke occasions, such as entering the tower equipment, tank equipment, large pipe system, or under the condition of limited space maintenance, need to get rid of this kind of dangerous gases, and in such major overhaul, we provide the right temperature environment for operators, eliminate harmful gas, piled up in the inflammable and explosive goods warehouse, due to poor ventilation warehouse using electric are unsafe, pneumatic safety explosion protection performance is good. We can provide customers with efficient, lightweight of compressed air fan to help create a safe and healthy working environment to improve work efficiency.

气动风机正常使用条件

- a) 海拔不超过2000m;
- b) 工作温度: +4℃ ~ +40℃;
- c) 环境空气相对湿度: 不大于90% RH (+25℃时);
- d) 无强烈振动和腐蚀性气体等;
- e) 安装在有瓦斯气体爆炸性危险的煤矿井下所需的工作场所。

Normal use condition of air blower

- A) above sea level, no more than 2000m;
- B) operating temperature: +4 to +40;
- C) the air relative humidity: less than 90RH (+25 C);
- D) no strong vibration and corrosive gas, etc.;
- E) to be installed in the workplace where there is a gas explosion hazard.

总体结构及其工作原理、工作特性

通风机由气动马达、叶轮和机壳等部件组成。气动马达安装在机壳内的隔爆腔内，通过传动组与叶轮连接并带动叶轮转动，风流从导流体进入旋转的叶轮，经叶轮加速的气流通过后导叶发生偏转，使风机排出的气流为旋转状，从而等有害气体。

The overall structure and its working principle, working characteristic.

The ventilator by pneumatic motor, impeller and casing and other parts. Pneumatic motor installed in the explosion cavity inside the casing, through transmission group connected with the impeller rotation and to drive the impeller and wind from the diversion into the rotation of the impeller, the impeller speed up the flow of air through the rear Ye Fasheng deflection, the fan exhaust air to rotate, thus the harmful gas such as.

风机型号表示方法 Model representation method

ZL 18 SS

风机外壳材质 (SS为不锈钢304材质)
Fan shell material for stainless steel (SS 304 material)
风机外径尺寸 (例: 8英寸, 12英寸, 18英寸, 24英寸)
Fan outer diameter (case: 8. 12. 18. 24.)

表示轴流风机 Axial flow fan

TG 18 YT

摇头风机 Shook head pneumatic blower
风机外径尺寸 (例: 18英寸, 24英寸, 30英寸)
Fan outer diameter (case: 18. 24. 30.)

表示立式风机 Vertical blower

BS 18 FY

风机带百叶 Blower with blind
风机外径尺寸 (例: 8英寸, 12英寸, 18英寸, 24英寸)
Fan outer diameter (case: 8. 12. 18. 24.)

表示壁式风机 Said wall blower



尺寸 Size	18"	24"	30"
风网直径mm Diameter	580	640	800
最高高度mm Maximum height	1200	1300	1300
最低高度mm Minimum height	1100	1200	1200
底脚宽度mm Foot width	550	800	810
整机重量kg Machine weight	8.3	12.5	20.3
风量 m³/hr Air volume	5200	6000	6500
风压Pa Wind pressure	90	100	110
噪音Db (A) Noise	65	75	82
耗气量m³/min Consumption	2.0	2.0	2.0
工作压力: 小于7kg/cm² 外壳: 碳钢 叶片: 铝合金货塑胶 外表处理: 喷塑 Job stress: less than 7 kg/cm² Shell material: carbon steel blade material: aluminum alloy appearance treatment: spray processing			

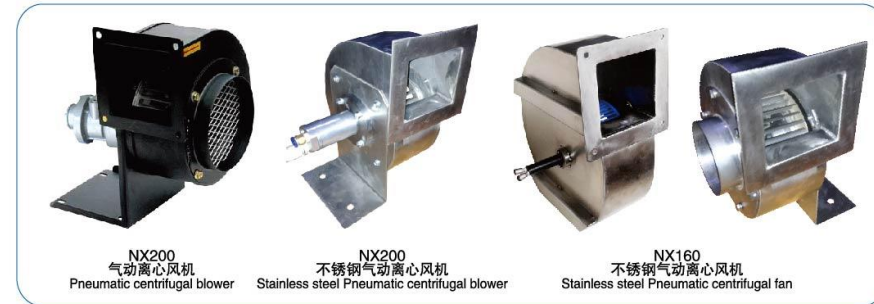


ZL-24-S 24"轴流风机 (定制) Axial blower (Custom)

尺寸 Size	8"	12"	18"	24"	30"
A(外径mm) Diameter	260	385	560	685	980
B(厚度mm) Thickness mm	210	225	290	335	350
D(含脚高)mm Height	268	395	640	695	1000
C叶片直径 Blade diameter	210	310	460	610	900
风筒直径 mm Fan diameter	240	365	540	665	920
整机重量kg Total weight	5.5	6.8	14.5	16	32
风量 m ³ /hr Air volume	2200	3800	4500	6000	20000
耗气量m ³ /min Consumption	0.83	0.83	0.83	2.0	4.8
风压Pa Wind pressure	68	70	90	100	120
噪音Db(A) consumption	68	72	78	85	90
工作压力: 小于7kg/cm ² 外壳: 碳钢 叶片: 铝合金 外表处理: 喷漆 Job stress: less than 7 kg/cm ² Shell material: carbon steel blade material: aluminum alloy appearance treatment: spray processing					

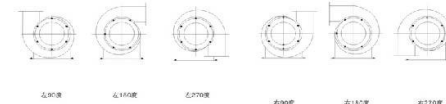


尺寸 Size	12"	18"	24"
宽度mm Width mm	410	580	720
高度mm Height mm	410	580	720
厚度mm Thickness mm	247	287	380
整机重量kg Machine weight	7.8	12.5	20.3
风量 m ³ /hr Air volume	3100	5200	6500
风压Pa Wind pressure	80	90	105
噪音Db (A) Noise	65	70	80
耗气量m ³ /min consumption	0.83	2.0	2.0
工作压力: 小于7kg/cm ² 外壳: 碳钢 叶片: 铝合金 外表处理: 喷漆 Job stress: less than 7 kg/cm ² Shell material: carbon steel blade material: aluminum alloy appearance treatment: spray processing			



离心风机特点:

1. 风轮为多翼式, 高速动平衡校正, 离心风机风量, 噪音低
 2. 心风机配备气动马达, 直连式安装, 性能稳定
 3. 离心风机出口附带转弯配件, 安装可多向角度调整
 4. 离心风机风道优化设计, 节能效果明显产品广泛应用于电子设备、UV设备、干燥设备、印刷机械、塑料机械、包装机械、净化设备、烘焙机、厨房油烟抽风设备等各类机械散热、干燥、送风、抽风、风循环, 也可用于房间、地下室通风。
- Centrifugal Fan features:
- 1.the wind wheel for multi-wing, high-speed dynamic balance correction, centrifugal fan air volume, low noise
 - 2.the centrifugal fan with a motor, straight installation, stable performance
 - 3.with side outlet centrifugal blower turn round parts, installation can be adjusted more to the point of view
 - 4.Optimum design of centrifugal air blower, energy-saving effect
- Products are widely used in electronic equipment, UV equipment, drying equipment, printing machinery, plastic machinery, packaging machinery, cleaning equipment, baking machines, kitchen equipment, and other mechanical smoke ventilation, air supply, ventilation, air circulation, also be used for room, basement ventilation.



型号 Type	功率 KW Power	风量 m ³ /h	全压 Pa	转速 speed r/min	噪音 ≤dB(A)
DSX160	0.68	660M ³ /h	850Pa	2800r/min	72
DSX200	1.3	1500M ³ /h	1000Pa	2800r/min	75
DSX200	3	3000M ³ /h	1200Pa	2800r/min	76

搅拌轴叶系列

Mixer blade series



圆三叶推进式、方三叶推进式 Round(Square) Three-blade propelling type stirrer	主要尺寸 Main dimension	常用介质粘度范围 Common medium viscosity Range
	D (直径): =4-20(单位:英寸); D(diameter)= 4 to 20 (unit: inch);	<5000mpa.s 常用应用条件 Common condition n=100-500rpm v=3-15m/s
<p>轴流型，循环速率高，剪切力小采用挡板或导流筒则轴向循环更强，特别适合于低粘度外极型及浆液状物料，有热及固体悬浮，卫生生产级设备内必须减少死角易清洗，不易加挡板，如非强制，托美公司为中心设计安装以解决搅拌器产生的轴向流动，造成强烈湍动，避免打旋达到理想搅拌效果。</p> <p>It belongs to axes flow with high speed circulation and little turbulence. It is used baffles or draft tube to make axes more strength circulation, applies on mixture, transfer-heat and solid suspend low-viscosity solution liquids. Sanitary grade equipments must reduce dead Corners and be easy to clean so it does not suit for adding baffles and draft tube. Yuanyue designs off-centre installation that solve in n=500rpm时，适用介质粘度 $\mu \leq 5 \times 10^4$mpa.s axialflow and intense turbine and rotation agitation causes.</p>		

圆孔齿轮式 Round hole gear type	长孔齿轮式 Long hole gear type	主要尺寸 Main dimension	常用介质粘度范围 Common medium viscosity Range
		D (直径): =4-20(单位:英寸); D(diameter)= 4 to 20 (unit: inch);	<2000mpa.s 常用应用条件 Common condition v=3-15m/s
<p>径流型 In the turbulent state of operation, the gear-shaped leaves can be effectively moves the particles to the center of the vessel. It is suitable for liquid, cut the mixture is mixed and strong, easy to mix. 在湍流状态下操作，齿形叶片可有效地移动颗粒到中心，适合于液体，切割混合物是混合和强烈，易于混合。 齿形叶片边缘为平直圆盘涡轮型，高速搅拌时每个叶片后缘将形成湍流剪切区域，使对液体和固体得以分散，特别适合于液体混合，制备稳定的液液分散，固体含量小于60%的悬浮液或不互溶液体于气体的分散。可促进传热、传质和化学反应。</p> <p>Each blade edges of flat blade disc turbine type stirrer will form high speed cut area which makes separate liquid and solid to be suitable for liquid quick mixture, separation of liquid-liquid, separation of suspend of less than 60% solid quantity or immiscible liquid and gas. It can promote transfer-heat, and media and chemical reaction.</p>			

曲面圆盘涡轮式 Curve disk turbo type	叶片圆盘涡轮式 Impeller vane disk turbo type	主要尺寸 Main dimension	常用介质粘度范围 Common medium viscosity Range
		D (直径): =4-20(单位:英寸); 叶片数量: Z: 4/6/8 (常用 Z=6) 斜桨叶斜角 θ =45°、30° 后角 β =45°	<3000mpa.s 常用应用条件 Common condition n=10-300rpm v=4-10m/s 斜叶式的 v=2-6m/s
<p>直叶、弯叶为径向流。有挡板时，自浆叶为界形成上、下两个循环流；斜叶为兼有径向和轴向流，但处于轴流型。斜叶倾角的叶片称为斜叶并沿流流，其搅拌效果类似3叶推进式，最高转速n=600rpm； Straight blade, curved leaves is the radial flow. A baffle, the blades as the boundary for the formation of the upper and lower circulation flow; oblique leaves both radial flow and axial flow, but near-axial flow type oblique angle 66° of the impeller-axial flow for 3 Ye Kaigj turbine, the mixing effect is similar to three-leaf-propelled, high speed n = 600rpm ;</p>			

斜叶推进式 Oblique impeller blade type stirrer	主要尺寸 Main dimension	常用介质粘度范围 Common medium viscosity Range
	D (直径): =4-40(单位:英寸); D(diameter)= 4 to 40 (unit: inch);	<3000mpa.s 常用应用条件 Common condition n=100-500rpm v=3-15m/s
<p>有轴向分流、径向分流和环向分流，桨叶前缘有较深、较宽，多在层流、过渡流状态下操作。根据液体粘度及大小，可配备多组叶片，可用于高粘度液体的低速搅拌。 There are axes, radial, circulation flows. Upper end of blade has : increasing turbine flow, it operates under the condition of laminar flow and transfer flow. According to tanks, it can match several blades which is used in high-viscosity liquid with low-speed agitation.</p>		

框式 Frame type	锚式 Anchor type	主要尺寸 Main dimension	常用介质粘度范围 Common medium viscosity Range
		D (直径): =4-30(单位:英寸); D(diameter)= 4 to 30 (unit: inch);	<10 ⁴ mpa.s 常用应用条件 Common condition n=1-100rpm v=1-5m/s
<p>在桨叶不同高度上均匀为水平环向流，采用斜叶或角钢形时，可增加桨叶附近的湍流。锚式、框式均在层流状态下操作，为了增大搅拌范围，可根据需要在桨叶上增设叶片和横梁。适用于高粘度液体或含固量高的液体混合。 There is all horizontal circle flow in different height of blade, it uses oblique or angle steel type blades that increases turbine around blades. Anchor type and frame type operates in laminar flow for increasing scope of agitation according to requirements, adds vertical blades and beam which suits for mixture of high-viscosity liquid or liquid including high solid.</p>			

螺旋式 Ribbon	螺杆式 Screw type	主要尺寸 Main dimension	常用介质粘度范围 Common medium viscosity Range
		D (直径): =4-30(单位:英寸); D(diameter)= 4 to 30 (unit: inch);	<10 ⁴ mpa.s 常用应用条件 Common condition n=1-100rpm v=1-5m/s
<p>轴流型： 螺旋式—一般是液体沿容器内壁螺旋上升后再沿轴下降；桨叶在层流状态下操作 Axial-type. Spiral belt is generally spiral liquid along the vessel wall and then down along the axis. Blades operating in the laminar state. There is all horizontal circle flow in different height of blade, it uses oblique or angle steel type blades that increases turbine around blades. Anchor type and frame type operates in laminar flow for increasing scope of agitation, according to requirements, adds vertical blades and beam which suits for mixture of high-viscosity liquid or liquid including high solid.</p>			



强有力的搅拌----动力无限、轻松搅拌

Lifting height: after rising from the ground 460mm Stir 20L-50L

型式 Type	推进式 Push type	圆叶推进式 Push	小扇叶推进式 Push	扇叶推进式 Push	方叶推进式 Stainless steel 304,316
型号 Model	TG-A1	TG-A1	TG-A3	TG-A4	TG-A5
材质 Material	不锈钢304、316 Stainless steel 304,316	不锈钢304、316 Stainless steel 304,316	不锈钢304、316 Stainless steel 304,316	不锈钢304、316 Stainless steel 304,316	不锈钢304、316 Stainless steel 304,316
尺寸 Size	中心内孔 ϕ 12mm-30mm Center hole 叶片直径 6"-20" Blade diameter	中心内孔 ϕ 12mm-16mm Center hole 叶片直径 4"-6" Blade diameter	中心内孔 ϕ 12mm-30mm Center hole 叶片直径 6"-20" Blade diameter	中心内孔 ϕ 16mm-80mm Center hole 叶片直径 6"-20" Blade diameter	中心内孔 ϕ 20mm-100mm Center hole 叶片直径 6"-30" Blade diameter
型式 Type	小齿分散盘 Push	大齿分散盘 Push	镂空分散盘 Push	大齿轮分散盘 Push	双层齿轮分散盘 Stainless steel 304,316
型号 Model	TG-B1	TG-B2	TG-B3	TG-B4	TG-B5
材质 Material	不锈钢304、316 Stainless steel 304,316	不锈钢304、316 Stainless steel 304,316	不锈钢304、316 Stainless steel 304,316	不锈钢304、316 Stainless steel 304,316	不锈钢304、316 Stainless steel 304,316
尺寸 Size	中心内孔 ϕ 12mm-30mm Center hole 叶片直径 4"-10" Blade diameter	中心内孔 ϕ 12mm-16mm Center hole 叶片直径 4"-8" Blade diameter	中心内孔 ϕ 12mm-30mm Center hole 叶片直径 6"-20" Blade diameter	中心内孔 ϕ 16mm-80mm Center hole 叶片直径 6"-20" Blade diameter	中心内孔 ϕ 20mm-100mm Center hole 叶片直径 6"-30" Blade diameter
型式 Type	筒翼式 Push	平直叶圆盘涡轮式 Push	弧叶圆盘涡轮式 Push	四叶开扇涡轮式 Push	小四方型叶片 Stainless steel 304,316
型号 Model	TG-C1	TG-C2	TG-C3	TG-C4	TG-C5
材质 Material	不锈钢304、316 Stainless steel 304,316	不锈钢304、316 Stainless steel 304,316	不锈钢304、316 Stainless steel 304,316	不锈钢304、316 Stainless steel 304,316	不锈钢304、316 Stainless steel 304,316
尺寸 Size	中心内孔 ϕ 12mm-30mm Center hole 叶片直径 6"-20" Blade diameter	中心内孔 ϕ 12mm-16mm Center hole 叶片直径 4"-10" Blade diameter	中心内孔 ϕ 12mm-16mm Center hole 叶片直径 4"-10" Blade diameter	中心内孔 ϕ 16mm-80mm Center hole 叶片直径 4"-8" Blade diameter	中心内孔 ϕ 20mm-100mm Center hole 叶片直径 2 1/2"-4" Blade diameter
型式 Type	斜叶架推进式 Push	斜叶锥空架推进式 Push	SLD 双螺旋式	LG 螺杆式	型 Type 双螺旋式 Push 号 Model SLD 质 Material 不锈钢304、316 Stainless steel 304,316 尺寸 Size 中心内孔 12mm-30mm Center hole 叶片直径 ϕ 275mm-114mm Blade diameter 型 Type 螺杆式 Push 号 Model LG 质 Material 不锈钢304、316 Stainless steel 304,316 尺寸 Size 中心内孔 130mm-200mm Center hole 叶片直径 ϕ 100mm-1000mm Blade diameter
型号 Model	TG-XJ1	TG-XJ2			
材质 Material	不锈钢304、316 Stainless steel 304,316	不锈钢304、316 Stainless steel 304,316			
尺寸 Size	中心内孔 12mm-50mm Center hole 叶片直径 8"-50" Blade diameter	中心内孔 12mm-16mm Center hole 叶片直径 8"-50" Blade diameter			

搅拌轴叶系列

Mixer blade series



型式 Type	防护型推式 Push	箱式 Push	防护圈式 Push	小碟带式 Push	小扇叶推进式 Stainless steel 304,316
型号 Model	TG-D1	TG-D2	TG-D3	TG-D4	TG-D5
材质 Material	不锈钢304、316 Stainless steel 304,316	不锈钢304、316 Stainless steel 304,316	不锈钢304、316 Stainless steel 304,316	不锈钢304、316 Stainless steel 304,316	不锈钢304、316 Stainless steel 304,316
尺寸 Size	中心内孔 ϕ 8mm-20mm Center hole 叶片直径 4" -8" Blade diameter	中心内孔 ϕ 12mm-16mm Center hole 叶片直径 4" -10" Blade diameter	中心内孔 ϕ 12mm-20mm Center hole 叶片直径 4" -6" Blade diameter	中心内孔 ϕ 16mm-80mm Center hole 叶片直径 6" -20" Blade diameter	中心内孔 ϕ 8mm-16mm Center hole 叶片直径 4" -6" Blade diameter

实验室用搅拌轴叶 Stainless steel barrel with agitatorseries.

两叶式	锚式	铰链式	小圆叶式	小方叶式	活动两叶式	双层扇叶式	
型式 Type	Blade diameter	Blade diameter	Blade diameter	Blade diameter	Blade diameter	Blade diameter	
型号 Model	SYP-1	SYP-2	SYP-3	SYP-4	SYP-5	SYP-6	SYP-7
材质 Material	不锈钢304、316、聚四氟乙烯、PE						Stainless steel 304,316

铍四氯搅拌轴叶 Stainless steel barrel with agitatorseries.

PTF1	PTF2	PTF3	聚四氟乙烯拌轴叶 PTFE mixed leaf axis
<p>搅拌叶片轴采用不锈钢304或316制作，叶片与搅拌轴为整体不可拆卸，表面镀四氟乙烷，耐高温、耐腐蚀，适合搅拌有腐蚀性介质，如溶剂、漂白液、盐酸、硝酸、硫酸、烧碱等介质。</p> <p>Mixing blade shaft 304 or 316 stainless steel production, leaf and stir-axis as a whole is not removable, PTFE coated, high temperature, corrosion resistance, suitable for mixing with corrosive media such as solvents, bleach, hydrochloric acid, nitric acid, caustic soda and other media.</p>			

搅拌轴叶组合 Stainless steel barrel with agitatorseries.

ZH-1	ZH-2	ZH-3	ZH-4	ZH-5	ZH-6	ZH-7



实验室电动搅拌机系列

Lab electric agitator series

TG型电子调速分散机

数显强力搅拌机
Digital display strong mixer



电子调速搅拌机
Electronic mixer



SF机400分散磨砂机
SF400 dispersing sander



驱动电机采用功率大、结构紧凑的串激式微型电机，运行安全可靠运行状态控制采用有级和无级调速器，调速方便适合于生物、理化、化妆品、保健品、食品等实验领域，是液体介质混合搅拌的实验设备。
Driving motor adopts the series micron-motor which has big power and compact structure, security and reliability. Running status control adopts the step speed and stepless speed regulation, easy to regulate. Designed for the field of biology, physiologic chemistry, cosmetics, health products, food and so on which is a laboratory equipment to mix the liquid medium.

TS型变频调速分散机主要技术参数

型号 Type	功率 Power	搅拌转速 rpm/min	轴心尺寸 Axis size(mm)	叶片尺寸 Blade size(mm)	外形尺寸 size(mm)	电压 Voltage (V)
TG300-S	300	50-1500	12.7*350	50-100	280*360*73	220
TG300-D	300	50-1500	12.7*350	50-150	280*360*73	220

适用于小批量生产，附有齿轮传递增力，转矩成倍增加，运行状态稳定、噪音低，采用电子调速低速运行转矩输出大，连续使用性能好。
Designed for short run production, equipped with gear transmission to increase the torsion strongly. Stable operation, low noise and use the electronic governor. Slow running and torque output is big, continue operating performance is good.

电子调速搅拌机主要技术参数

Main technical parameters of electric mixer

参数 parameter	型号 Model	
	TG150-DZ	TG180-DZ
功率 power (KW)	150	180
转速 speed (r/min)	100-480	100-480
筒体容积 L	1-8	1-10
分散盘直径 mm	80	80-100
重量 weight (kg)	13	18

可以实现高速分散及砂磨小试两种功能。特别提示：磨砂时建议转速在3000r/min左右。采用先进的集成电路，实现宽范围速度无极调速。速差波动小。速度数显，一目了然。
It has two functions of high speed dispersing and sanding. Note: Speed is recommended to maintain at a t e a d y r a t e around 3000r/min during sanding. It adopts advanced integrated circuit which can achieve the step-less speed regulation in a wide range. Speed difference is small. Speed value is clear at a glance.

SF250/SF400分散机主要技术参数
SF250/400Main technical parameters of dispersing sander

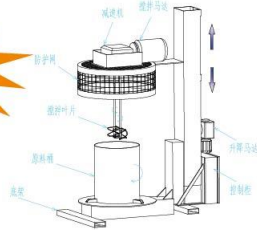
参数 Parameter	型号 Model	
	SF250	SF400
功率 power (KW)	0.25	0.4
容积 L	0.5-10	3-20
叶轮直径 mm	40/50	150或200
升降高度 mm	250	400
转速 speed(r/min)	0-8000	0-8000
重量 kg	15	30
外形尺寸 mm	长500x宽400x高600	长500x宽600x高1100

50公斤-300公斤电动升降电动搅拌机

50-300KG Electric lift electric mixer



TG-D750-S
电动升降双轴搅拌机
Electric lift double-shaft mixer



采用电动升降，电动搅拌，运行安全可靠。此款搅拌机采用电机加减速双输出轴搅拌，功率大，地盘采用旋转地盘，可搅拌高粘度物料，上下同时旋转搅拌更均匀。
Adopts electric lift and mix, safely and reliable.
This mixer uses electric double output shaft to mix. Its power is big. It adopts rotary chassis which can mix the high viscosity materials. Mix can be more uniform if rotate up and down at the same time.



TG-DY-WJ
手动液压升降电动搅拌机
Manual hydraulic lift electric mixer



TG-DU-A
电动升降电动搅拌机
Electric-motion lift electric mixer



TG-DU-B
电动升降电动搅拌机
Electric-motion lift electric mixer

采用手动液压升降，电动搅拌，无极调速。
It adopts manual hydraulic lift and electric mixing .Stepless speed regulation

采用电动升降，电动搅拌，变频调速，操作简单安全。搅拌轴搅拌叶片镀四氟可耐腐蚀，可加夹具，使桶搅拌不移动。
It adopts electric lift and mixing. Speed is controlled by frequency variation easy to operate and reliable.
Teflon plated agitating shaft and vane can resistant to corrosion. Also it can be equipped with clamp to make the barrel not move during the mixing,

DY-WJ 手动液压升降搅拌机主要技术参数
DY-WJ main technical parameter of manual hydraulic lift mixer

规格 Model	电动机功率KW Motor power	转速 r/min speed	适配容量 L adapting capacity	升降行程 mm Lift distance
TG-DY1.5-WJ	1.5	145-483	100-200	500-1000
TG-DY2.2-WJ	2.2	145-483	200-300	

规格 Model	电动机功率KW Motor power	电压 V	转速 r/min speed	适配容量 L adapting capacity	升降行程 mm Lift distance
TG-DY1.5-WJ	1.5-3.7	220/380	200-800 变频调速	100-200	700-1000
TG-DY2.2-WJ	1.5-3.7	220/380	100-800 变频调速	200-300	



台车式气动升降电动搅拌机

Car-bottom type pneumatic lift electric mixer

强有力的搅拌----动力无限、轻松搅拌
Steongly mix----more powerful and easy to mix.



TC-QD-D
台车式气动升降电动搅拌机
Car-bottom type pneumatic lift electric mixer



TC-QD-D-WJ
台车式气动升降电动搅拌机
(无极调速/附不锈钢桶)
Car-bottom type pneumatic lift electric mixer
stepless speed regulation/attached stainless steel barrel



TC-QD-D-SUS
不锈钢台车式气动升降电动搅拌机
stainless steel Car-bottom type
pneumatic lift electric mixer

搅拌桶采用不锈钢材料，采用双层桶水加热，桶外加装保温棉可以保温，可以设定加热温度，加热达到设定温度自动停止加热，低于设定温度可自动加热，可加液位计，可显示液体位置高度。桶底部凸底，放料干净，清洗方便。适合黏度大的物料加热搅拌和冬天物料随温度变粘稠加热搅拌

Mixing barrel is made from stainless steel which adopts double layer barrel to heat the water. Thermal insulation is equipped on the barrel to keep warm. Also you can set the heating temperature. If temperature reaches to the setting value, it will stop heating. If it's lower than the setting value, it will heat automatically. It can be equipped with level gauge to display the height of fluid. The bottom of barrel is a bumped head which is easy to clean. It's suitable to heat and mix high viscosity materials and the aterials which viscosity can be changed to sticky with the temperature in Winter.

- ☆ 搅拌桶大小可以根据要求定做
- ☆ The size of mixing barrel can according to your requirements to make

搅拌机架为不锈钢304材质，可边加热边搅拌，专为加热搅拌设计

Mixer fram is made from 304 stainless steel. You can heat and mix it at the same time which is specially designed for heating and mixing.

搅拌量：
50L-5000L
加热温度：0-100摄氏度
搅拌桶材料：SUS304-SUS316
搅拌动力：减速机
可选配件：液位计，温度计，温控仪，时间设定器等

Mixing quantity : 50L-5000L
Heating temperature : 0-100 °C
Material of mixing barrel : SUS304-SUS316
Mixing power : Motor reducer
Optional level gauge, temperature gauge, temperature controller and timer available

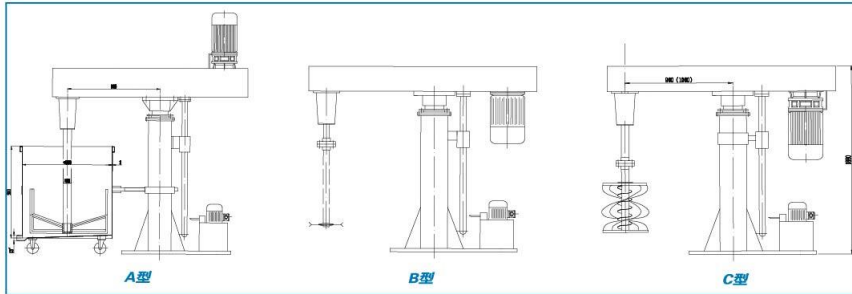
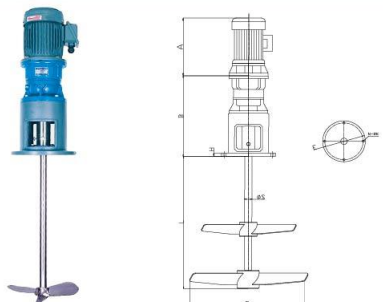
F 系列分散机

F series sidpersing machine



F 系列分散机

F series sidpersing machine

DZ型 立式连轴器型
DZ Vertical coupling type

型号	转速 (r/min)	使用马达													
Type	QDR	Motor	A	B	E	F	G	Z	D	S	L				
D-300	1450	1/4HP-4P	225	235	170	210	14	13	100	20	650				
	483	1/4HP-4P	225	224	170	210	14	13	220	20	800				
	290	1/4HP-4P	225	224	170	210	14	13	220	20	1900				
	145	1/4HP-4P	225	238	170	210	14	13	260	20	800				
	96	1/4HP-4P	225	238	170	210	14	13	260	20	800				
D-500	1450	1/2HP-4P	248	235	170	210	14	13	160	20	650				
	483	1/2HP-4P	248	235	170	210	14	13	100	20	700				
	290	1/2HP-4P	248	234	170	210	14	13	230	20	1000				
	145	1/2HP-4P	248	234	170	210	14	13	230	20	1000				
	96	1/2HP-4P	248	238	170	210	14	13	260	20	1000				
D-1000	72	1/2HP-4P	248	238	170	210	14	13	260	20	1000				
	290	1/2HP-4P	242	328	220	250	17	15	150	25	700				
	483	1/2HP-4P	242	328	220	250	17	15	150	25	900				
	290	1HP-4P	242	362	220	250	17	15	320	25	1200				
	145	1HP-4P	242	362	220	250	17	15	320	25	1200				
D-2000	96	1HP-4P	242	362	220	250	17	15	320	25	1200				
	72	1HP-4P	242	317	220	250	17	15	360	35	1200				
	58	1HP-4P	242	317	220	250	17	15	360	35	1200				
	48	1HP-4P	242	317	220	250	17	15	360	35	1200				
	1450	2HP-4P	322	328	220	250	17	15	150	35	800				
D-3000	483	1HP-4P	322	328	220	250	17	15	200	35	900				
	290	2HP-4P	322	362	220	250	17	15	320	35	1400				
	145	2HP-4P	322	362	220	250	17	15	320	35	1400				
	96	2HP-4P	332	317	220	250	17	15	360	35	1400				
	72	2HP-4P	332	317	220	250	17	15	360	35	1400				
68	2HP-4P	332	317	220	250	17	15	360	35	1400					



可定做各类平台式搅拌罐、整套搅拌系统、使用马达强有力的搅拌——动力无限、轻松搅拌
We can produce each kinds of platform mixing tank, a complete set mixing system, use the motor to mix——more powerful and easy to mix.

F 系列分散机造型要素推荐

Recommend dispersion machine



- 机架型号及适配主功率:
 - 1.FG250机架适配功率: 5.5KW; 7.5KW; 9/11KW; 11KW.
 - 2.FG350机架适配功率: 9/11KW; 15KW; 18.5KW; 18.5/22KW; 30KW;
 - 3.其他机架适配功率: 1.5kw; 2.2kw; 3.7kw; 4kw; 30kw; 32kw/42kw; 45kw; 55kw; 75kw; 90kw.
 - 速度要求:
 - 1.速度类别: 单速; 双速; 无级变速; 有机变速(多速).
 - 2.变速方式: 电磁变速; 变频变速; 减速器变速; 变频带变速.
 - 3.速度范围: 400r/min以下速度; 400-1200r/min高速; 1200r/min以上特高速.
 - 分散盘形式: 齿轮盘式; 螺带螺旋式; 三叉浆式; 蝶式; 其他形式
 - 安装形式: FL: 型(落地式); FX型(平台式).
 - 电机安装形式: 电机输出轴朝上; 朝下(一般大功率FG350机型建议采用朝下方式).
 - 电机电器: 隔爆型; 非隔爆型即普通型; 特殊要求型
- Model and its main power:
 1. Power of FG250 frame : 5.5kw ; 7.5kw ; 9/11kw ; 11kw.
 2. Power of FG350 frame : 9/11kw ; 11kw ; 15kw ; 18.5kw ; 18.5/22kw ; 22kw ; 30kw.
 3. Power of other frame : 1.5kw ; 2.2kw ; 3.7kw ; 4kw ; 30kw ; 32kw/42kw ; 45kw ; 55kw ; 75kw ; 90kw.
 Speed type : Single speed, Double Speed, Step-less speed ; Step speed (Multi-speed).
 Speed change method : Solenoid ; Frequency conversion ; Reducer ; Variable velocity zone.
 Speed range : Below 400r/min ; High speed 400-1200r/min ; Above 1200r/min.
 Type of dispersion plate : Gear type ; Screw type ; Tri-plate type ; Butterfly type, Others.
 Installation type : FL model (floor type) ; FX model (Platform type).
 The ratio of the barrel diameter to the dispersing wheel diameter : 3-4 : 1
 Motor and appliance : Flame-proof type ; Non flame proof type (that is normal type) ; Special requirements type.
 Installation type of motor : Output shaft of motor shall face upward ; Face downward (Generally, high power FG350 frame is recommended to use the downward type) ; According to the viscosity
 n=1750rpm;
 V=25m/s;
 According to the viscosity n<500rpm, you can choose : $\mu \leq 5 \times 104 \text{ mpa.s}$
 you can choose : Stainless steel axes, Vane, Teflon plated vane

参数	型号	FL1.5/2.2	FL14	机架FG机架250型		机架FG350型				特殊型号机架		
				FL1.5/2.2	FL11	FL11	FL15或FL18.5	FL22	FL30	FL45	FL55/75	FL90
电机功率 KW		1.2或2.2	4	5.5或7.5	9/11或11	9/11或11	15或18.5	22或18.5/22	30	45	55或75	90
分散轴转速r/min		0-1200	0-1200 1065/2130	0-1200 1065-2130	0-1200 1065-2130	0-1200 800-1200	0-1200 800-1200	0-1200 800-1200	0-1200 800-1200	0-1200 800-1200	0-1200 800-1200	1000或可调
升降行程 mm		500	800	900	900	1100	1100	1100	1100	1450	1600	1800
中心距 mm		515	650	900	950	1100	1100	1100	1800	1465	1500	1600
重量 kg		300	500	700	800	1200	1200	1200	1800	2500	3500	4000
外形尺寸	长mm	1000	1500	1800	1800	2200	2200	2200	1800	2700	2800	3000
	宽mm	400	500	750	750	900	900	900	1800	1100	1100	1200
	高mm	1200	1700	1820	1820	2400	2400	2400	1800	2800	3200	3400

FX (平台式) 分散机

FX platform type dispersing machine

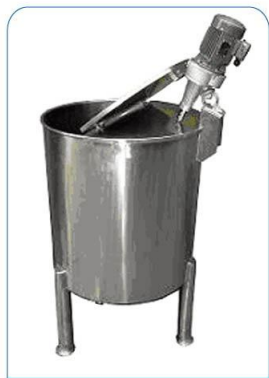


FL防爆型分散机

Explosion-proof type dispersing machine



强有力的搅拌----动力无限、轻松搅拌
Strongly mix ---- more powerful and easy to mix



JS-SUS60L
60L 不锈钢桶夹式搅拌机
60L stainless steel barrel agitator



TG-SUS80L
80L 不锈钢搅拌桶
80L stainless steel mixing barrel



TG-SUS100L
100L 不锈钢搅拌桶
100L stainless steel mixing barrel



TG-SUS150L
150L 不锈钢搅拌桶
150L stainless steel mixing barrel



TG-SUS200L
200L 不锈钢搅拌桶
200L stainless steel mixing barrel



TG-SUS300L
300L 不锈钢搅拌桶
300L stainless steel mixing barrel

☆ 可定做各类不锈钢304/316材质搅拌桶

☆ we can make each of stainless steel 304/316 mixing barrel and heat mixing barrel.

加热搅拌桶 heat mixing barrel



搅拌量：50L-5000L
加热温度：0-100摄氏度
搅拌桶材料：SUS304-SUS316
搅拌动力：减速电机
可选液位计，温度计，温控仪，时间设定器等

Mixing quantity : 50L-5000L
Heating temperature : 0-100 °C
Material of mixing barrel : SUS304-SUS316
Mixing power : Motor reducer
Optional level gauge, temperature gauge, temperature controller and timer are available.

☆ 搅拌桶大小可根据要求定做
☆ the size of mixing barrel can according to your requirements to make

钢平台式搅拌桶 steel mixing barrel



PT-SUS2T

搅拌桶采用不锈钢材料，桶底部凸底，放料干净，清洗方便。采用钢平台上加料操作，可观察桶内物料搅拌情况，搅拌完成可直接在桶底部放料罐装，可采用称重罐装，自动罐装可根据要求设计制作各类搅拌和实现加料、搅拌、罐装自动化。



TG-SUS3T-AMP6
3吨气动搅拌桶+称重罐装

Stainless steel mixing drum, barrel bottom of the convex bottom, discharge clean, easy to clean. Feeding operation on a steel platform, the situation can be observed mixing barrel materials, mixing done directly at the bottom of the barrel dis-charge canned, canned can be weighed automatically canned types according to requirements designed to achieve mixing and feeding, mixing, canned automation.

IBC 桶电动搅拌机系列

IBC barrel electric mixer



TC-IBC-EXD3.7
台车式IBC桶用电动升降搅拌机 (防爆型)
Car-bottom IBC drum electric lifting agitator
(explosion-proof type)

伸缩型叶片轻松进入
IBC小桶口, 展开后搅
拌力度大

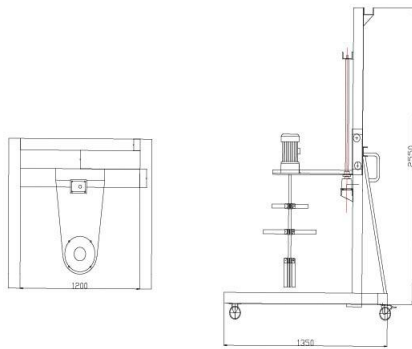
Flexible blade can be
entered into IBC small
drums, mixing force is
big.



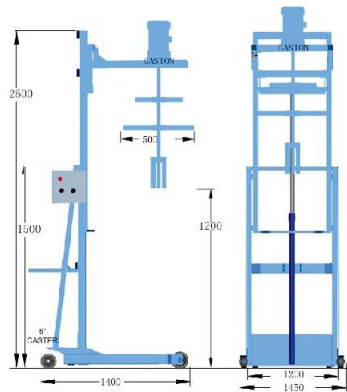
TC-IBC-OD2.2
台车式IBC桶用双气缸升降搅拌机
Car-bottom IBC drum double cylinder lifting agitator



IBC桶在搅拌机U型底框内横放、竖放都可以, 搅拌轴叶片都在
IBC桶的中间位置
IBC drum can be placed on the U type bottom frame of agitator
at the horizontal or vertical position. The agitator blades are
always placed in the middle of IBC drum.



丝杆升降型
Screw rod lifting type



液压升降型
Hydraulic lifting type



台车式IBC桶用液压升降搅拌机

Car-bottom IBC drum hydraulic lifting agitator



TC-IBC-YD5.5
台车式IBC桶用液压升降搅拌机
Car-bottom IBC drum hydraulic lifting agitator



此款搅拌机适合大体积大容量搅拌, 专为IBC桶设计, 搅拌机以坚固槽钢构成,
采用电动丝杆升降和双气缸升降, 设计导杆式、气动式、液压式、升降并有安全
保护设计, 马达在上升或下降马达立即停止转动, 升机架降平稳, 速度可调, 配
大功率减速机, 可选配变频调速, 可搅拌黏度较大液料, 机架装有移动脚轮,
使搅拌机可以轻便移动, 方便桶与桶之间的搅拌效率高。

this agitator is suitable for stirring big volume and capacity materials which is specially
designed for IBC drum. Agitator frame is made from firmly channel steel. Adopts
electric screw rod and double cylinder lifting. There are guide rod, pneumatic and
hydraulic type lifting which has safety protection function. When lifting, motor will
be stopped immediately. Lifting is steady, speed is adjustable. Equipped with big
power motor reducer and optional to choose variable frequency speed control.
Can stir big viscosity fluid. Movable castor wheels are installed on the frame
which can move the agitator lightly and enhance the stir efficiency between the
drums.

搅拌机参数 Mixer parameters

规格 Type	YD2.2	YD3.7	YD5.5	YD7.5
电机功率 KW Motor	2.2	3.7	5.5	7.5
分散轴转速 rpm Speed	100-600	200-500	200-300	200-500
料缸容积 L Capacity	200-1200			
升降的高度 Lifting height	12	可根据要求定制 Can be customized upon request		
调速形式 Speed controlled	电磁调速/变频调速 Electric / Frequency			
分散盘直径 mm Diameter	500*2			
外形尺寸 L*W*H(mm) External dimensions	1400*1450*2600			



TC-IBC-D-PVF



TC-IBC-D-LD



TC-SS



TC-SS



图(一)



图(二)



图(七)



图(三)



图(四)



图(五)



图(六)



图(八)



图(一) IBC桶染料搅拌



图(二) 汽车涂料搅拌输送



图(三) 加热冷却循环搅拌



图(四) 油墨搅拌



图(五) 溶液搅拌

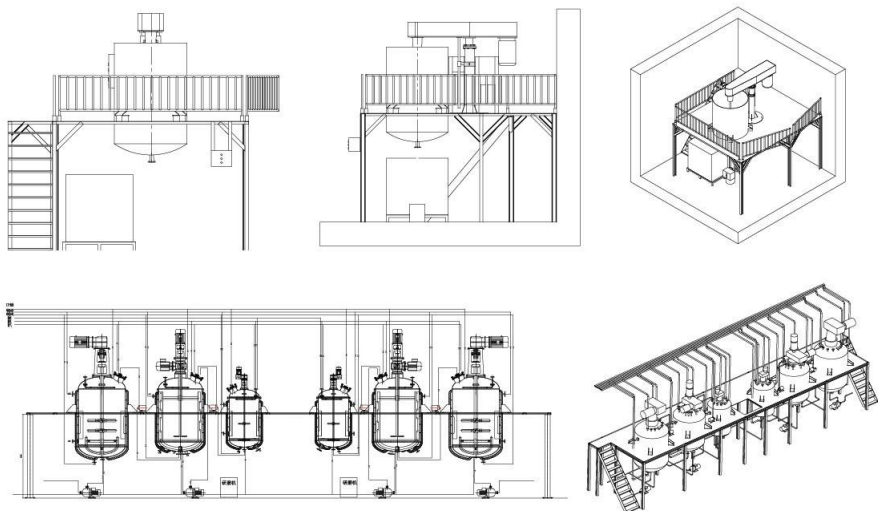


图(六) 输调漆系统



图(七) 涂料搅拌

为客户设计、制造、安装各类成套生产线
For the customer design, manufacture, installation of various kinds of complete sets of production line



客户案例 Customer case



图 (一)



图 (二)



图 (三)



图 (四)



图 (五)



图 (六)



图 (七)



图 (八)



图 (九)



图 (十)

混合机 (滚筒机系列)

Mixer (Drum series)



TG-Q30-A
配活塞式气动马达
Piston-type pneumatic motor



TG-Q30-B
配活塞式气动马达
Piston-type pneumatic motor



TG-Q30-C
配活塞式气动马达
Piston-type pneumatic motor

此型号混合机可 360 度旋转, 均匀混合液料动力部分采用气动防爆马达, 可连续使用无段式转速调整, 适合 5L-30L 圆桶或方桶。
使用流体: 压缩空气;
使用压力: 5kg/cm²
使用最高压力: 7kg/cm²;
适应环境: -10℃~+60℃
连续使用: 可以 (无负载情况下不可以连续使用)

This mixer can be rotated 360° which can mix the materials thoroughly. Power section adopts the pneumatic explosion-proof motor which can use the continuous variable speed to adjust. It's suitable for 5L-30L round or square barrels.

Using fluid: Compressed air,
Working pressure: 5 kg/cm²
Max. working pressure: 7 kg/cm²

Operating environment: Continuous service: OK (Can't continuous to use under no load condition)

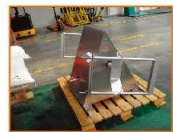
型号 Model	马力 Horsepower	转速 Rotating Speed	适用范围 Application	转向 Rotation direction
TG-Q30	0.25HP	转速可调	适用5L-30L圆桶和方桶 Suitable for 5L-30L round or square	360度单方向 360° single direction
TG-S60	1.1HP	转速可调	适用40L-60L圆桶和方桶(双桶) Suitable for 40L-60L round or square (double barrel)	360度单方向 360° single direction

配活塞式气动马达, 无段式速度调整, 操作简单, 可选自动正逆反转机型
Piston-type pneumatic motor continuous variable speed, easy to operate, optional automatic positive/reverse rotation model

气动双桶滚筒机 Pneumatic double drum machine



TG-Q30-S
气动双桶混合机
Pneumatic double barrel mixer



TG-Q60-S-SUS
不锈钢气动双桶混合机
Stainless steel pneumatic double barrel mixer

此型号混合机采用双臂 360 度旋转, 均匀混合液料动力部分采用气动防爆马达, 可连续使用无段式转速调整, 可手动或自动控制正反转, 双桶液料可同时翻转混合, 节省空间, 节省时间, 工作效率高, 适合 20L-80L 圆桶或方桶。

This agitator can be rotated 360° which can mix the materials thoroughly. Power section adopts the pneumatic explosion-proof motor which can use the continuous variable speed to adjust. It's suitable for 5L-30L round or square barrels.



混合机 (滚筒机系列)

Mixer (Drum series)



TG-D30-S
电动双桶滚筒机
electric double drum machine



TG-D30
电动单桶滚筒机
electric single drum machine



TG-D60
电动单桶滚筒机
electric single drum machine

此型号混合机可 360 度旋转, 均匀混合液料动力部分采用电动调速马达, 可连续使用电子调速, 适合 30-80L 圆桶或方桶。

使用电源: 380V / 220V
调速范围: 10-50 转

连续使用: 可以 (无负载情况下不可以连续使用)

This agitator can be rotated 360° which can mix the materials thoroughly. Power section adopts the pneumatic explosion-proof motor which can use the continuous variable speed to adjust. It's suitable for 30L-80L round or square barrels.

使用电源: 380V/220V

Speed-regulating range: 10-50 rotate

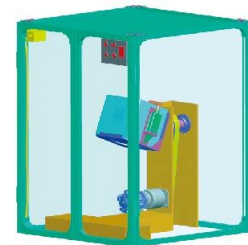
Continuous service: OK (Can't continuous to use under no load condition)

型号 Model	电压 Voltage	功率 Power	转速 Speed	适用范围 Scope
TG-D30-S	220V-380V	300W	变频调速	适用10L-30L圆桶和方桶(单桶或双桶)
TG-D30	220V-380V	200W	电子调速	适用40L-80L圆桶和方桶(单桶或双桶)
TG-D60	220V-380V	550W	变频调速	适用40L-80L圆桶和方桶(单桶或双桶)

配变频电机, 变频器, 电子调速或变频调速, 可选定时机型



TG-D30-D-DS
电动定时混合机
Electric timing mixer motor



TG-Q30-D-DS
气动定时混合机
Electric timing mixer motor

此型号混合机可 360 度旋转, 均匀混合液料动力部分采用电动调速马达, 气动防爆马达可连续使用电子调速, 无极调速, 可设定混合时间自动停止转动, 可设定自动正转数圈反转数圈并在混合机外制作防护门, 混合完成自动打开防护门, 可使桶内液料得到均匀混合节省人工, 使用安全。适合 30L-80L 圆桶或方桶

调速范围: 10-50 转

混合量: 20-80L

连续使用: 可以 (无负载情况下不可以连续使用)

☆ 可来图样定做各类混合机

This agitator can be rotated 360° which can mix the materials thoroughly. Power section adopts the pneumatic explosion-proof motor which can use the electronic governor or step steps speed regulation continuously. You can set the mixing time and stop the rotation automatically. You also can set the revolutions of positive / reverse rotation and install the protective door on the outside of mixer. After finishing the mixing, the protective door will be opened automatically. The materials will be mixed thoroughly. Labor-saving and safety. It's suitable for 30L-80L round or square barrels.

Speed-regulating range: 10-50 rotate

Mixing volume: 20L-80L

Continuous service: OK (Can't continuous to use under no load condition)

☆ We can manufacture each kinds of agitator according to your sample or drawing.

单臂混合机 (滚筒机系列)

Single-arm mixer (Roller series)



DB360-150
电动单臂滚筒机
Electric single-arm roller



此型号混合机可让桶垂直360度旋转,使液料上下均匀混合,动力部分采用电动或者气动马达,采用活动式夹桶,将桶夹放下可使用搬运车或手工直接把50-150公斤的物料桶直接搬运桶夹上,可设定混合时间,自动停止转动,节省人工,使用安全。适合50L-150L的铁桶、塑料桶、纸桶、不损伤桶外壁0适合粉体、固体、液体、固-液的物料混合。

调速范围: 10-30转
混合量: 50L-150L

Drum can be rotated 360° by agitator to make the fluid uniform. Adopts electric or pneumatic motor as the power. Put down the loose type drum and use the carrier or manual to convey 50-150Kg materials to the agitator directly. Can set the mixing time and stop the rotation automatically which can save the manpower and safety. It's suitable for 50L-150L steel, plastic and carton drum which will not damage the outer wall of drum. It's suitable to mix the powder, solid, fluid and liquid-solid materials.

Speed-regulating range: 10-30 REV
Mixing quantity: 50L-150L



DB360-YD350
电动液压升降单臂滚筒机
Electric hydraulic lifting single-arm roller



DB360-YD350-EX
电动液压升降单臂滚筒机 (防爆型)
Electric hydraulic lifting single-arm roller (explosion-proof type)

适合塑料桶
Suitable for plastic drum



适合纸桶
Suitable for carton drum



液压升降轻松将200-350公斤桶搬运上架
Adopts hydraulic lifting to convey 200-350kg drums lightly



此型号混合机可让桶垂直360度旋转,均匀混合液料动力部分采用电动或者气动马达,采用液压升降,可使用搬运车直接把350公斤的物料直接搬运到混合机上,可设定混合时间,自动停止转动,可设定自动正转数圈反装数圈可使桶内液料得到均匀混合,节省人工,使用安全。适合150-350L的铁桶、塑料桶、纸桶、不损伤桶外壁。适合粉体、固体、液体、固-液的物料混合。

调速范围: 10-50转
混合量: 150L-350L

Drum can be rotated 360° by agitator to make the fluid uniform. Adopts electric or pneumatic motor as the power. Adopts hydraulic lifting to convey 350Kg materials to the agitator directly. Can set the mixing time, stop the rotation automatically and set the automatic positive/reverse rotation number to mix the fluid uniformly which can save the manpower and safety. It's suitable for 150L-350L steel, Plastic and carton drum which will not damage the outer wall of drum. It's suitable to mix the powder, solid, fluid and liquid-solid materials.

Speed-regulating range: 10-50 REV
Mixing volume: 150L-350L



液压升降型混合机 (滚筒机系列)

Hydraulic lift-type agitator (Drum machine series)

TG-EX200-A 防爆型混合机 Explosion-proof type mixer



此款混合机适合200L物料桶,可借助于200L桶用搬运车,或其他设备,把物料桶搬运到机架上,打开动力单元,通过油泵产生油压使油缸可以伸缩运动,从而轻松倒立物桶。通过手动操作阀门控制。油缸的升降速度可通过调节油缸两端的单向调节阀和操作手柄下部螺丝来调节。该机采用防爆减速机,防爆动力单元,操作安全/简单。

This mixer is suitable for 200L barrel. 200L Barrel can be delivered to the frame by transportation vehicles or the other devices. Turn on the power, oil cylinder is moved by the oil pressure which is generated by the oil pump and then the barrel can be turned upside down easily. It's controlled by manual operating valve. The lift speed is adjusted by adjust the non-return valve and adjust the screws on the bottom of operating handle.

This machine adopts explosion proof reducing motor and power unit, easy to operate and safety.



TG-D350-GT-A
自动定时混合机
Autotimer mixer



TG-D350-GT-B
自动定时混合机 (附防护栏)
Autotimer mixer (Attached protective guard)

升降式混合机采用液压升降或气缸升降方式使滚轮成90度,方便料桶到机架上轻松操作。料桶在混合机上360度旋转,可设定混合时间,自动正转和反转,自动停止给出停止报警音,动力部分可采用变频电机可采用气动防爆马达。最大承载400KG。

The lifting mixer operates with roller at 90° via hydraulic or cylinder movement up and down to facilitate easy handling of the barrel onto the stand. The barrel will rotate over the mixer in 360°. Mixing time, automatic forward or reverse rotation may be set. Automatic stop activates alarm. A frequency-variable pneumatic motor resistant to explosion is rated for max. loading 400KG.



TG-D200-GT-Q
气动升降式混合机
Pneumatic mixer

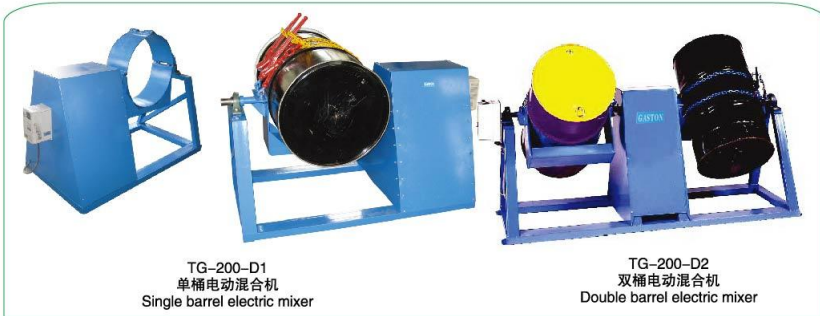
混合机 (滚筒机系列)

Mixer (Drum series)



非标定制滚筒机系列

Non standard custom drum mixer



TG-200-D1
单桶电动混合机
Single barrel electric mixer

TG-200-D2
双桶电动混合机
Double barrel electric mixer

此种混合机可独立对物料进行混合，在混合过程中其物料的充分且均匀溶合。此混合机具有非接触的特点，主要针对于化学物品、涂料等液体的混合，该混合机操作方便，维修保养便捷。驱动装置（电机减速机）上的主动轮和被动轮相连，从而带动物料桶转动，该驱动可以正反转，进而更有效的混合。旋转速度可通过面板调节旋转来调节。
 High can mix the materials independently. During mixing, materials are mixed thoroughly. This mixer has the feature of non-contacting which is mainly to mix the chemical substance and coating. Easy to operate and maintenance. Driving and driven wheel on the driving device (reducing motor) are connected together and then turn the materials to rotate. This driving can achieve the positive and reverse rotation, so the mixing can be more efficiency. The rotating speed can be adjusted by adjusting knob on the panel.

型号 Model	电压 Voltage	功率 Power	转速 Speed	适用范围 Scope
TG-200-D	220V-380V	1500W	变频调速	适用200L桶
TG-200-D2	220V-380V	1500W	变频调速	Suitable for 200L steel

配变频电机，变频器，变频调速，可选定时机型
 Equipped with variable frequency motor and transducer. Adopts electric governor or frequency variation. Optional to choose the timer type.



图 (一)



图 (二)



图 (三)



图 (四)



TG-200-D3
单桶滚筒机
Single machine

TG-200-D4
单桶调速滚筒机
Single drum machine



TG-200-DL1
倒立式混合机
Inverted mixer

TG-200-DL2
倒立式电动混合机
Inverted electric mixer

倒立混合机运用杠杆原理使机架 90 度。使 200L 桶轻松上机架，桶 360 度旋，可正反转。动力部分可采用变频电机可采用气动防爆马达。
 Apply the lever principle, the frame of inverted mixer can reach to 90°, then the 200L barrel can be delivered to the frame easily. Barrel can be rotated 360°, also can be rotated in the positive and reverse rotation. Power section can use the converter motor and Pneumatic explosion-proof motor.



图 (五)



图 (六)

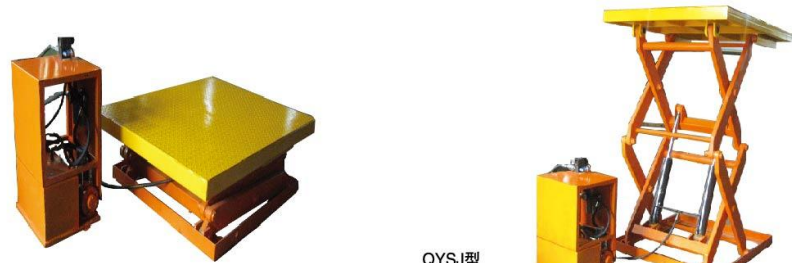


图 (七)

气动固定升降平台是一种升降稳定性好, 适用范围广的货物举升设备主要用于生产流水线高度差之间货物运送; 物料上线、下线; 工件装配时调节工件高度; 高处给料机送料; 大型设备装配时部件举升; 大型机床上料、下料; 仓储装卸场所与叉车等搬运车辆配套进行货物快速装卸等。根据使用要求, 可配置附属装置, 进行任意组合, 如固定式升降平台的安全防护装置; 手动或机动工作旋转台, 电器控制方式; 工作平台形式; 动力形式等, 驱动动力为气缸, 适用在要求防爆场合使用。

Fixed type pneumatic lifting platform has good lifting stability and wide applications. It's mainly used to convey the goods between the height difference of production line. Top line and down line of materials. Adjust the workpiece height during the assembly; Feeding by high position feeder; Lift the parts during assemble the large scale equipment; Feeding and discharging at the large machine tools; Worked with forklift and so on porters to dispatch the goods quickly, etc. According to the using requirements, it's can equipped with auxiliary devices. Such as safeguard of fixed type lifting platform; Manual or auto working platform, electric control method; Type of working platform and power, etc. Power is driven by cylinder or pneumatic hydraulic method which is used in the explosion-proofing position.

气动液压升降平台 (双叉式)
Pneumatic hydraulic lifting platform (Double V shape type)



QYSJ型
气动液压升降平台
Pneumatic hydraulic lifting platform

QYSJ型 气动液压升降平台参数
Parameters of pneumatic hydraulic lifting platform

型号 Type	额定载荷 Rated load (KG)	最低高度 Minimum height (mm)	最大高度 Maximum height (mm)	平台尺寸 Platform	上升时间 Rise time	升降行程 cylinder stroke (mm)	整机重量 weight (kg)
QYSJ5-2.8	0.50	460	2450	1200x1000	35	2000	450
QYSJ1-1.2	1.00	320	1500	1500x1000	40	1200	500
QYSJ1-1.4	1.00	420	1820	1500x1000	45	1400	500
QYSJ1.5-2	1.50	500	2420	2000x1500	50	2000	800
QYSJ2-2.4	2.00	620	2900	2500x1500	65	2400	900

QSJ型 气缸升降平台参数
Parameters of cylinder lifting platform

型号 Type	额定载荷 Rated load (KG)	最低高度 Minimum height (mm)	最大高度 Maximum height (mm)	平台尺寸 Platform	上升时间 Rise time	气缸行程 cylinder stroke (mm)	整机重量 weight (kg)
QSJ100-0.5	100	180	680	1200x500	15	500	220
QSJ300-10	200	210	1200	1220x700	25	1000	250



QSJ型
气缸升降平台
Cylinder lifting platform

气缸升降平台适合家具, 座椅及零配件装配, 采用脚踏开关升降, 自由调整高度, 操作方便简单, 平台侧边配有零件盒, 方便组装时零配件的置放。
Cylinder lifting platform is suitable to assemble the furniture, seat, spare and accessory parts. Use the pedal switch to lift, adjust height freely and easy to operate. Working accessories are placed at the side of platform which is convenient to place the parts during assembly.



TY-C称重型翻转倒料车
Weighing type rotary batch turning truck

称重仪表显示, 精确度高、称量简单直观可设定倒料重量, 到了预设重量可自动回转到自由调整高度, 可轻松将桶升任何定点

Weighing indicator display, high accuracy, direct, simple and can set the batch turning weight. When reaching to the preset weight, it can be adjusted to the required height and any fixed point freely.

可360度自由旋转, 将原料搅拌均匀搬运、混合、倒料、称重合为一体最大起升高度可达2.6米, 承重可400KG搬运、混合、倒料、称重合为一体

Can be rotated 360° freely. This product can achieve mix, convey batch turning and weighing function. The max. lifting height can reach to 2.6 meters. The loading can reach to 400KG. It's a standard rotary batch turning truck to convey, mix, batch turning and weighing.

型号	名称	最大承重	升降高度	精确度
TY	标准型倒料车	500KG	1520	
TYG	加高型翻转倒料车	350KG	2620	
TY-EX	气动防爆型翻转倒料车	500KG	1520-2620	
TY-C	称重型翻转倒料车	500KG	1520-2620	III



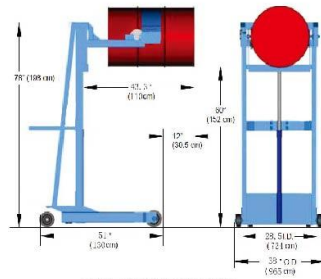
TY型标准翻转倒料车
Standard flip pouring TV car

采用气动马达为动力, 气动液压结合控制, 安全防爆

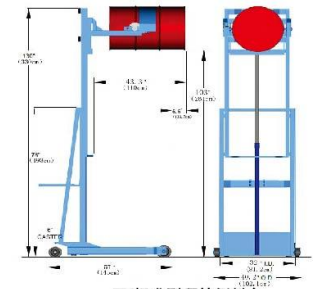
Adopt pneumatic motor as the power. Controlled by pneumatic and hydraulic. Safety and explosion-protection.



TYG-EX称重型翻转倒料车
Pneumatic explosion-proof rotary batch turning truck



TY标准型翻转倒料车
Standard rotary batch turning truck



TY标准型翻转倒料车
Higher type rotary batch turning truck



气动搅拌机如何正确的选型

1. 搅拌容器？例如：圆桶，方桶，槽，IBC桶，如果客户桶不是标准的200L桶或是标准的IBC桶那么要问清楚客户桶的直径和高度，最好材质也问他一下。
 2. 搅拌多少公斤物料？ 例如：50公斤，100公斤，2000公斤
 3. 搅拌粘度是多少？ 例如：100CPS,2000CPS,5000CPS，如果不太清楚，可打比方说出常见的液体，比如说像洗发露，蜂蜜，涂料，洗洁精等
 4. 搅拌液体还是粉体？ 例如：溶剂，干粉，或是粉料加液体，搅拌后是越搅拌越粘稠还是越搅拌越稀。
 5. 搅拌速度？ 例如：10RPM 200RPM 1000RPM 5000RPM
 6. 搅拌物料是否有腐蚀性？ 强酸 强碱，最好知道搅拌物料的名称
 7. 搅拌器的选择？ 搅拌一般都用不锈钢材质。不锈钢材质分为 304不锈钢和316不锈钢 一般物料就用304不锈钢材质的 如果有腐蚀性物料要说清楚
 8. 气动马达的选择： 气动搅拌机所配气动马达的选择是要看搅拌的原料黏度大小和容器大小，再是对搅拌速度是否有要求，叶片式气动马达比活塞式气动马达速度要快，但相对情况下比活塞式气动马达扭力要小，但是叶片式马达配减速机后扭矩比较大，所以配哪种马达要根据实际情况而定。选叶片式的时候要问清楚客户空压机的储气量，如果客户是很小的空压机储气量不够的情况建议不要选叶片式的。
- 气动搅拌机分为以下几种样式
1. 夹式气动防爆搅拌机
 2. 横板式气动防爆搅拌机 横板式气动搅拌机
 3. 伸展式气动防爆搅拌机
 4. 手提式气动防爆搅拌机
 5. 四脚架气动防爆搅拌机
 6. 气动升降气动防爆搅拌机
 7. 全自动升降气动防爆搅拌机
 8. 螺旋式气动防爆搅拌机
 9. U型升降气动防爆搅拌机
 10. 附把手和轮子气动防爆搅拌机
 11. 台车式气动升降搅拌机
 12. 特殊订制气动防爆搅拌机
 13. 数字显示转速气动搅拌机
 14. 双气缸升降气动搅拌机
 15. IBC桶专用气动搅拌机
 16. 高耐腐蚀性搅拌机
 18. 低转速气动防爆搅拌机
 19. 实验室小型气动搅拌机
 20. 专业涂料搅拌机
 21. 钢平台式搅拌机



工艺咨询表 Technical Inquiry Form

用户名称 User Name		职务 Position		页数 Pages			
项目名称 Project Name		电话 Tel		传真 Fax			
设备名称 Device Name				数量 Qty			
容器条件 Container Condition	<input type="checkbox"/> 圆型槽: 直径×直筒高度 _____mm <input type="checkbox"/> Circular groove: Dia. × barrel height _____mm		<input type="checkbox"/> 方型槽: 长×宽×深 _____mm <input type="checkbox"/> Square groove: L×W×D _____mm				
	顶部形状: <input type="checkbox"/> 敞开 <input type="checkbox"/> 平 <input type="checkbox"/> 蝶形 <input type="checkbox"/> 2:1 椭圆形 <input type="checkbox"/> 锥形: 深度 _____mm Top shape: <input type="checkbox"/> Open <input type="checkbox"/> Flat <input type="checkbox"/> Butterfly <input type="checkbox"/> 2:1 Ellipse <input type="checkbox"/> Tapering: Depth _____mm						
	底部形状: <input type="checkbox"/> 平 <input type="checkbox"/> 蝶形 <input type="checkbox"/> 2:1 椭圆形 <input type="checkbox"/> 锥形: 深度 _____mm Bottom shape: <input type="checkbox"/> Flat <input type="checkbox"/> Butterfly <input type="checkbox"/> 2:1 Ellipse <input type="checkbox"/> Tapering: Depth _____mm						
	安装尺寸 Installation size: <input type="checkbox"/> 敞口罐 (Open top pot) 支撑梁高 Support beam height _____mm 其他: (Others) _____mm <input type="checkbox"/> 密封罐 Seal pot: _____mm <input type="checkbox"/> 接管长/凸缘厚 Connection tube length/ flange thickness _____mm 挡板尺寸 (Baffle plate size): 数量 Qty _____ 宽 Wide _____mm 壁距 Wall distance: _____mm 长 Long: _____mm						
介质条件 Medium condition	工作体积: 最大 Max. _____m ³ 最小: _____m ³ <input type="checkbox"/> 连续过程: 流量 _____m ³ /小时 Working volume: Max. _____m ³ Min. _____m ³ Continuous process: Flow rate _____m ³ /h 液位: 最高 _____m ³ 最低 _____m ³ <input type="checkbox"/> 易燃易爆 <input type="checkbox"/> 有毒有害 Liquid level: Highest _____m ³ Lowest _____m ³ <input type="checkbox"/> Flammable and combustible <input type="checkbox"/> Nocuousness						
	序号 No.	物料组成 Component Material	数量/重量% Qty/Weight%	比重 Specific gravity	粘度 Viscosity	温度 Temperature	颗粒尺寸 Particle size
	1						
2							
Industry 行业	生物制药 Bio-pharmaceuticals		日化护肤品 Daiiy Cosmetics and Skin Care		食品 Food		
	涂料油墨 Painting and Ink		石油化工 Petrochemicals Industry		其他 Others		
	塑料塑胶 Plastic & Rubber Industry		印染助剂 Dyeing and Printing Auxiliary		工业设备 Industrial Equipment		
	造纸工业 Paper Manuring Industry		农药化肥 Agricultural & Fertilizer Industry		试验设备 Laboratory Equipment		
	电子电力 Electric Power and Electron Industry		纳米材料 Nanometer Materials		环保设备 Environmental Equipment		
马达 Motor	防爆等级 <input type="checkbox"/> Exlpsion-proof Standard proof Standard 变频调速 <input type="checkbox"/> Frequency Speed rpm 防护等级 <input type="checkbox"/> Defence Grade <input type="checkbox"/> ip55 <input type="checkbox"/> ip54 <input type="checkbox"/> Lnsulation Grade 绝缘等级 <input type="checkbox"/> F <input type="checkbox"/> B						
电源 PowerSupply	Voitage 电压 _____v Frequency 频率 _____HZ						
搅拌要求 Stirring requirement	搅拌强度 Stirring intensity: <input type="checkbox"/> 温和 Mildness <input type="checkbox"/> 适中 Moderate <input type="checkbox"/> 强烈 Moderate <input type="checkbox"/> 剧烈 Acuteness 功率 Power: _____KW 转速 Speed: _____rpm 叶轮形式及尺寸 Impeller type and size _____mm 叶轮层数 Impeller level number _____ 叶轮层距 Impeller level spacing _____mm						
设计要求 Design requirement	灌顶安装: <input type="checkbox"/> 侧面安装 <input type="checkbox"/> 底部安装 <input type="checkbox"/> 户外安装 <input type="checkbox"/> 户内安装 Top pouring mounting Side mounting Bottom mounting Outdoors mounting Indoor mounting 设计/操作压力 _____/_____Mpa 设计/操作温度: _____/_____℃ 材质要求: _____ Design/operating pressure _____/_____Mpa Design/operating temperature: _____/_____℃ Material requirements: _____ 外衬材料: <input type="checkbox"/> 衬橡胶 <input type="checkbox"/> 衬玻璃钢 <input type="checkbox"/> 衬四氟 <input type="checkbox"/> 喷 PO <input type="checkbox"/> 其他 Outer lining material: <input type="checkbox"/> Line with rubber <input type="checkbox"/> Line with glass reinforced plastics <input type="checkbox"/> Line with teflon <input type="checkbox"/> Painting PO <input type="checkbox"/> Others						
	运行: <input type="checkbox"/> ≤8 小时/天 <input type="checkbox"/> 连续 <input type="checkbox"/> 连续批操作 <input type="checkbox"/> 恒速运转 <input type="checkbox"/> 变速操作 Running: ≤8 h/d <input type="checkbox"/> Continuous <input type="checkbox"/> Continue batch operating <input type="checkbox"/> Constant speed running <input type="checkbox"/> Variable speed operating 其他: 轴封要求: <input type="checkbox"/> 填料 <input type="checkbox"/> 单端面机械密封 <input type="checkbox"/> 双端面机械密封 <input type="checkbox"/> 无 Others: Shaft seal requirement: <input type="checkbox"/> Padding <input type="checkbox"/> Single mechanical seals <input type="checkbox"/> Double mechanical seal <input type="checkbox"/> None 辅助之承 Auxiliary bearing: <input type="checkbox"/> 底轴承 Foot bearing <input type="checkbox"/> 中间轴承 Intermediate bearing <input type="checkbox"/> 不允许 Not allow						
	Please accurately the above form to prevent form choosing wrong midel our professional will choose for our customers please fill "√" "in" "□" for ensure and writton in other blank spaces. Please using documengts or drawings for supplementary declaration if this form can not clearly to express 为了能让您更好的使用我们的设备，我们的专业人员更准确推荐选型，减少选型偏差和失误：请详细填写以上工艺咨询表格。 表格不能清晰表述的，请用文件或图形加以说明。						